

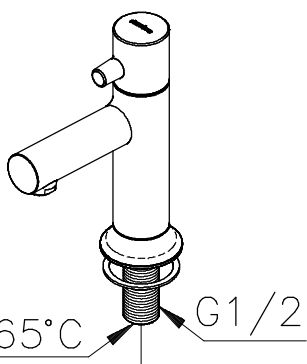
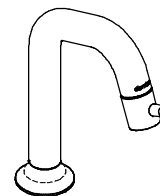
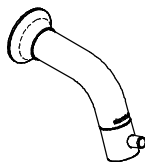
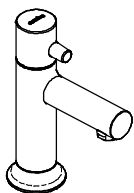
**Installationsvejledning  
Montageanweisung  
Installation instruction  
Instructions d'installation  
Istruzioni di installazione  
Installatie- -instructies  
Instrucciones de instalación**

# damixa

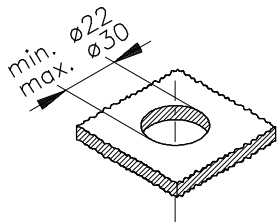
Østbirkvej 2, 5240 Odense NØ, Denmark  
Tel. +45 63 102 210  
E-mail: damixa@fmm-mora.com  
Homepage: www.damixa.com

01.18

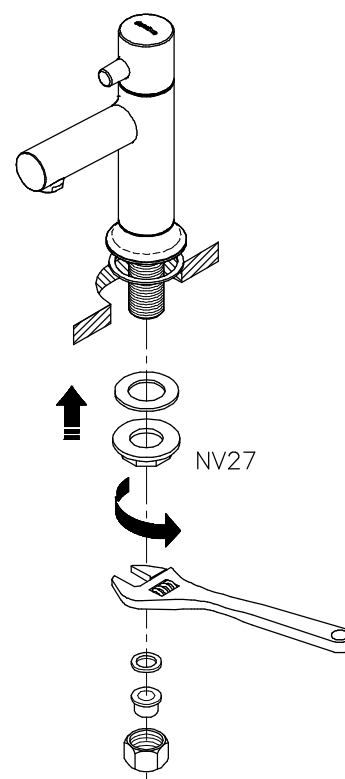
20205.00



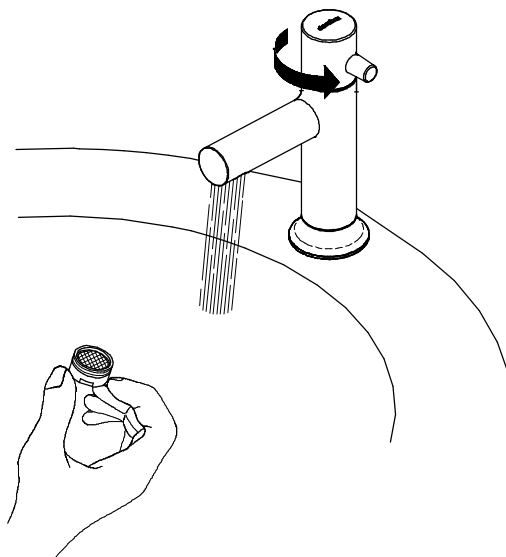
50–1000 kPa (0.5–10 bar)



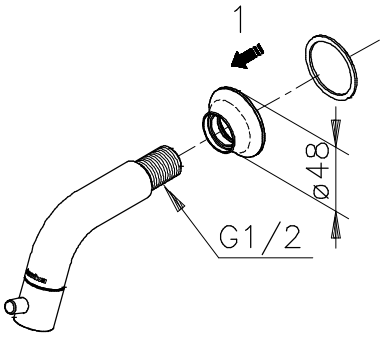
**A**



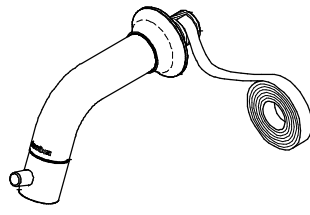
**B**



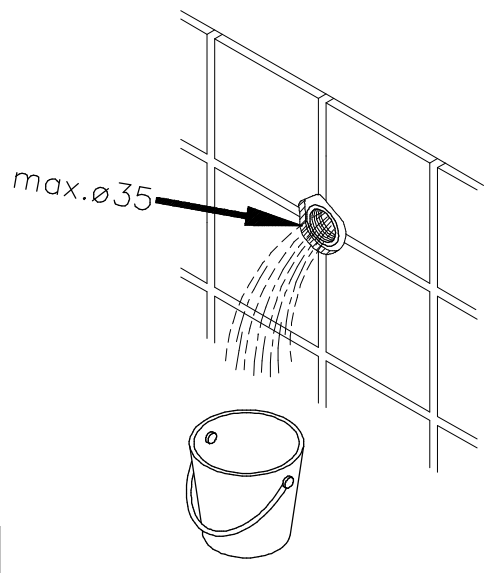
**C**



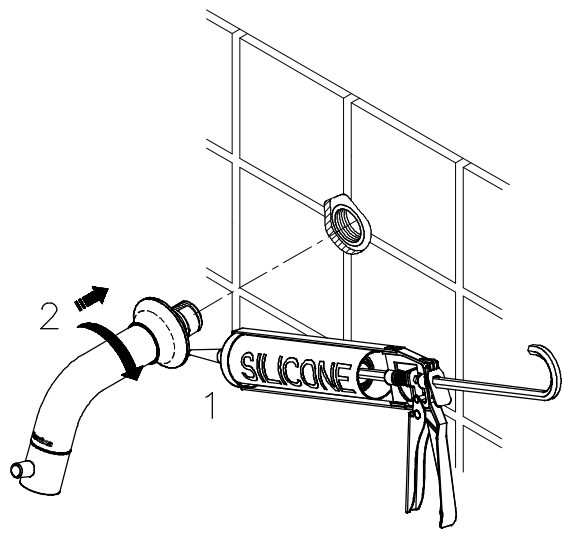
**D**



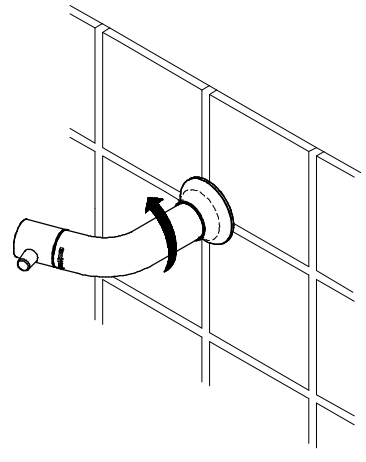
**E**



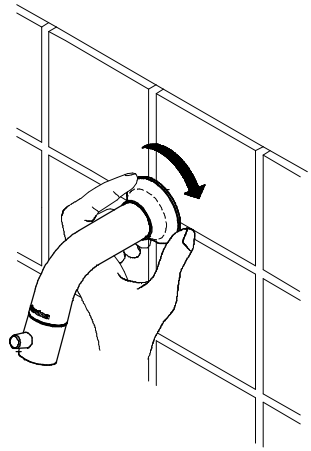
**F**



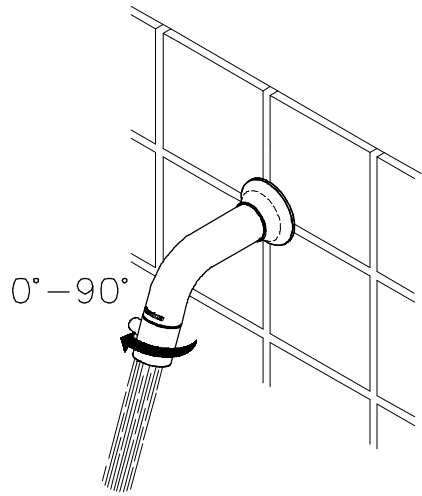
**G**



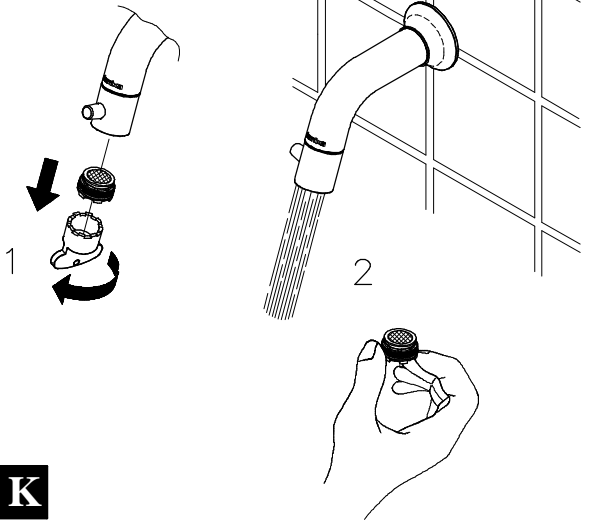
**H**



**I**



**J**



**K**