

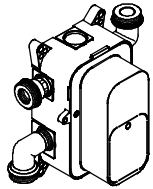
**Installationsvejledning
Montageanweisung
Installation instruction
Instructions d'installation
Istruzioni di installazione
Installatie- -instructies
Instrucciones de instalación**

damixa

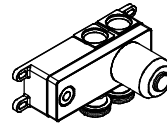
Østbirkvej 2, 5240 Odense NØ, Denmark
Tel. +45 88 330 034
E-mail: damixa@fmm-mora.com
Homepage: www.damixa.com

08.19

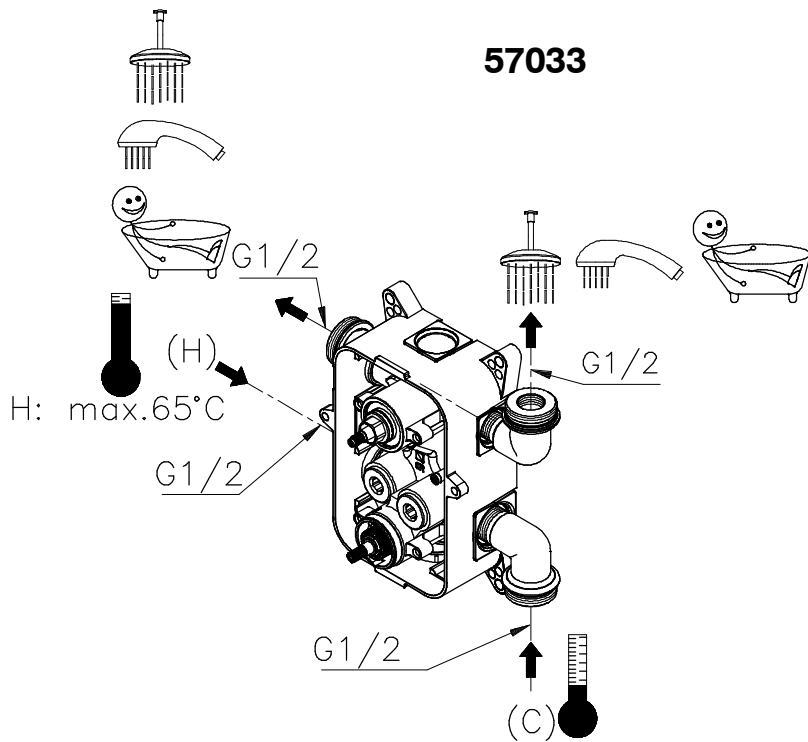
20224.00



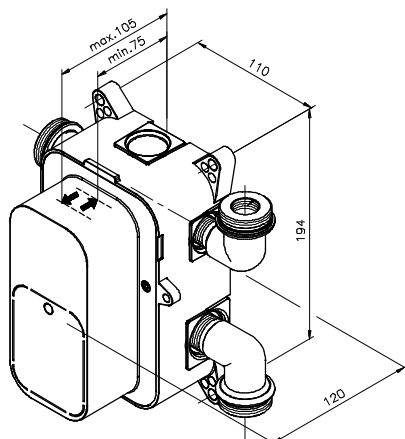
57033



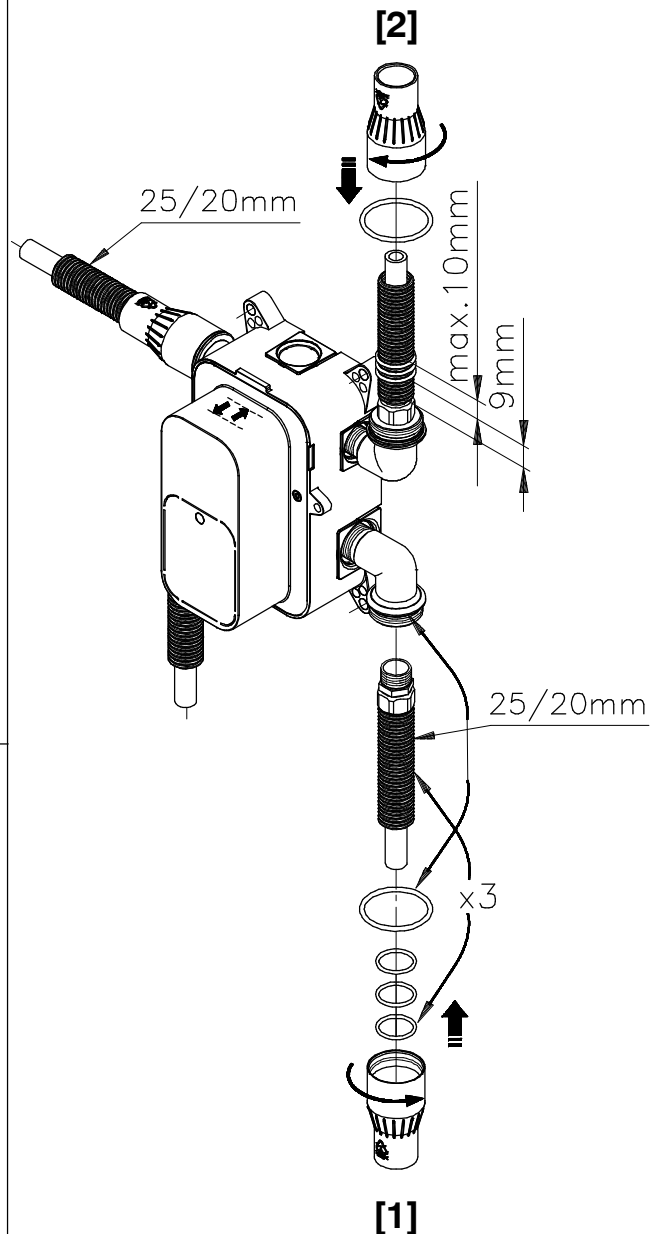
47043



A H,C: 120–600Kpa(1.2–6 bar)

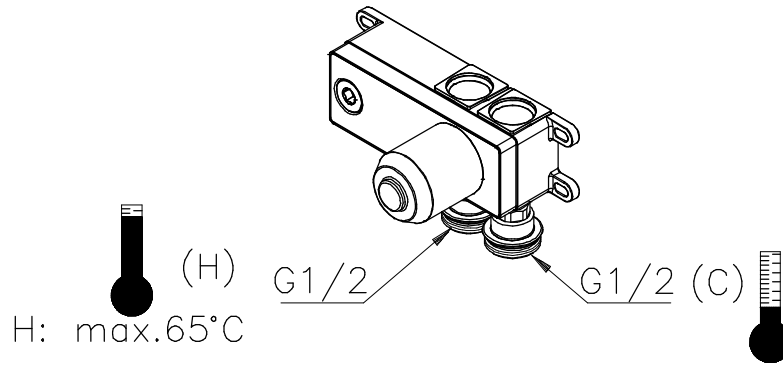


B

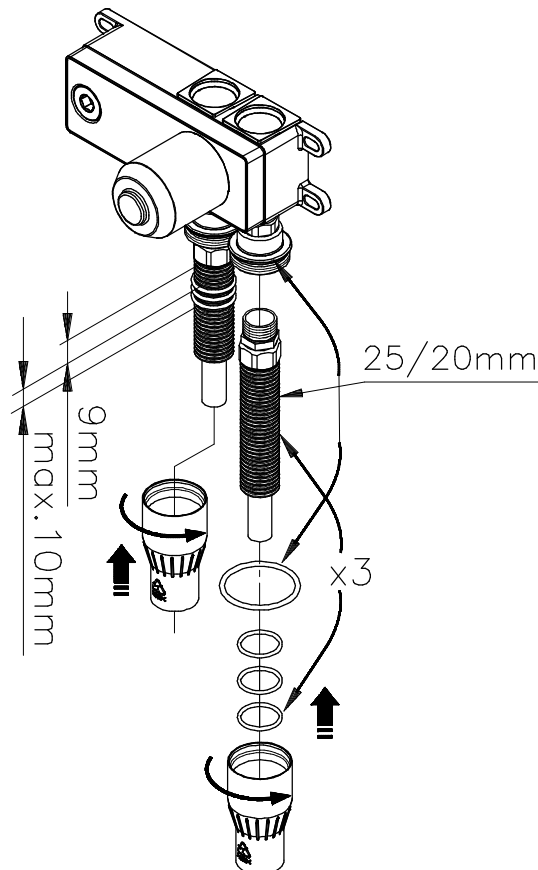
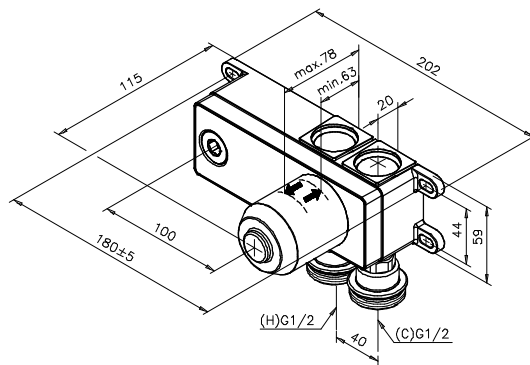


C

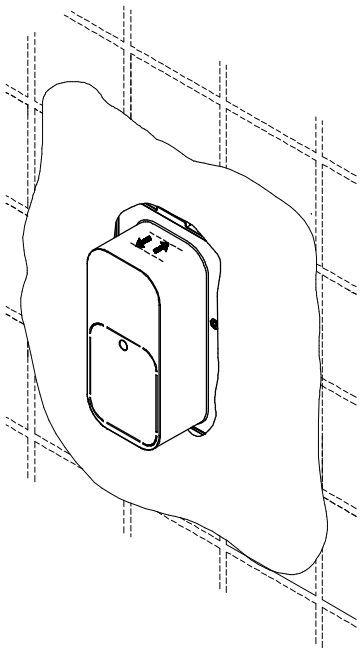
47043



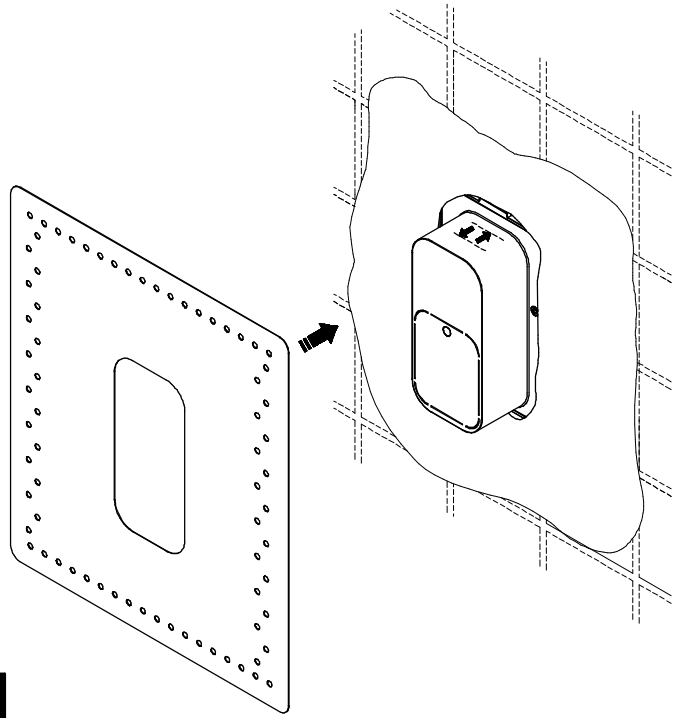
H,C: 120–600Kpa(1.2–6 bar)



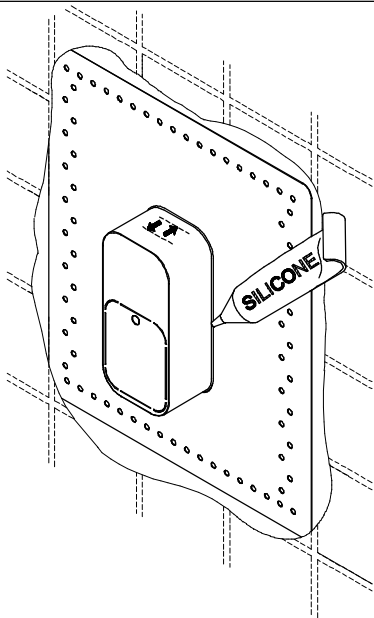
2(3)



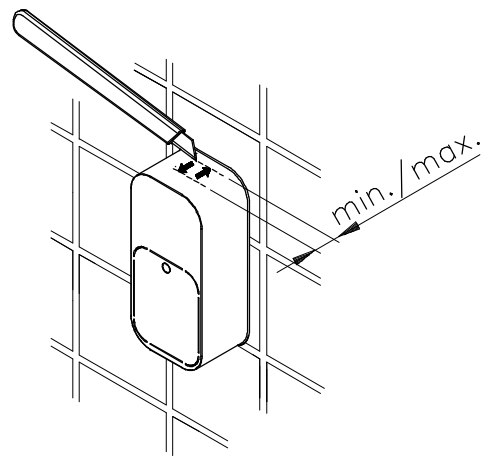
G



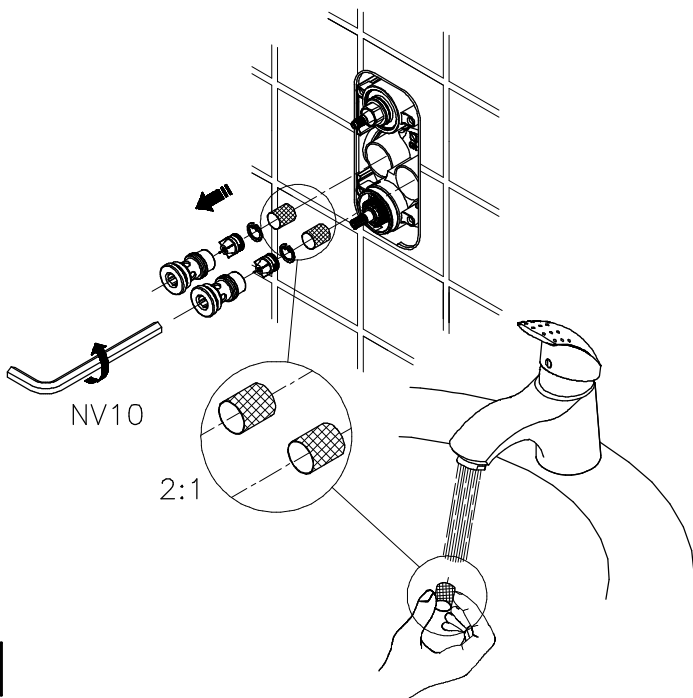
H



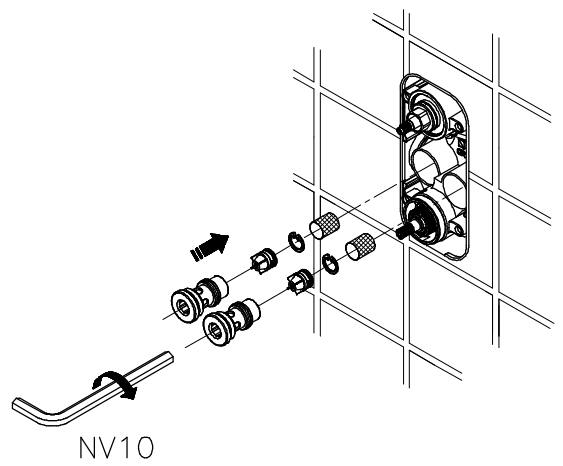
I



J



K



L