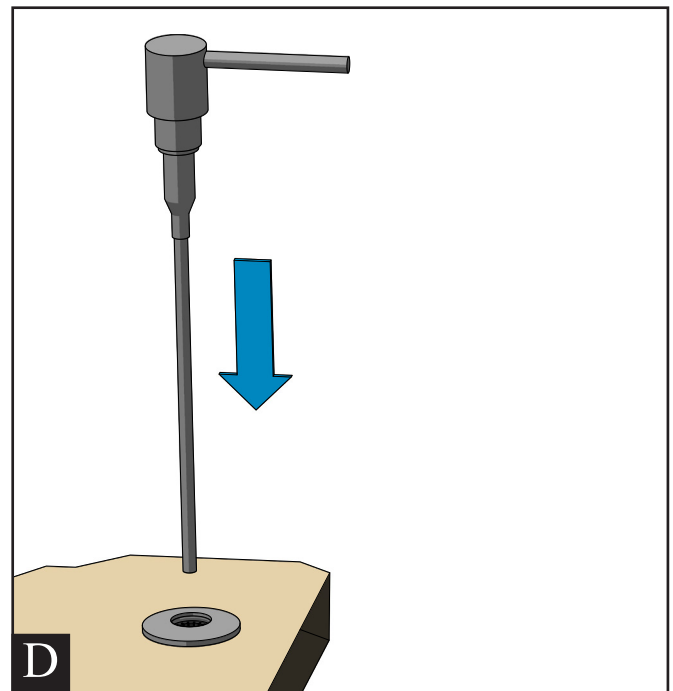
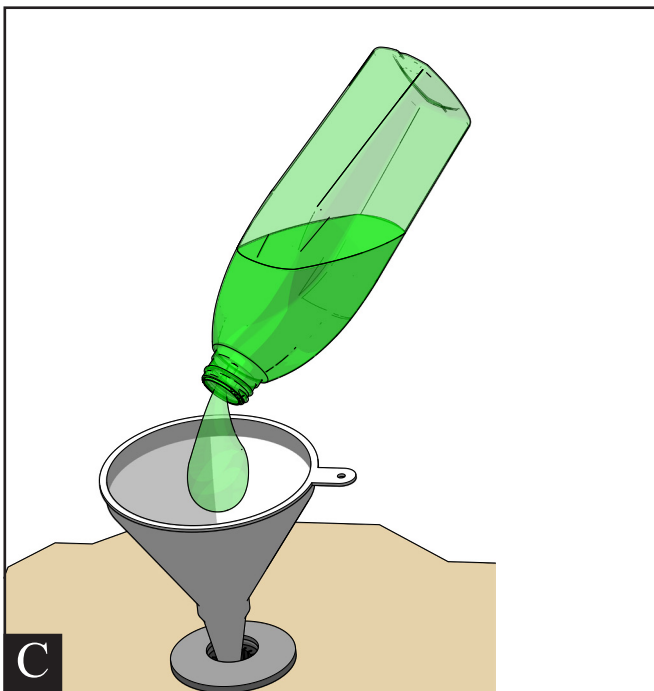
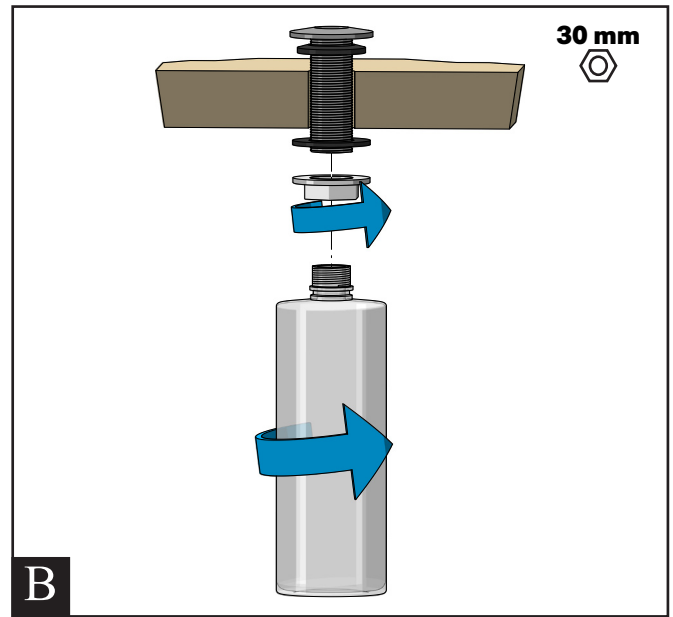
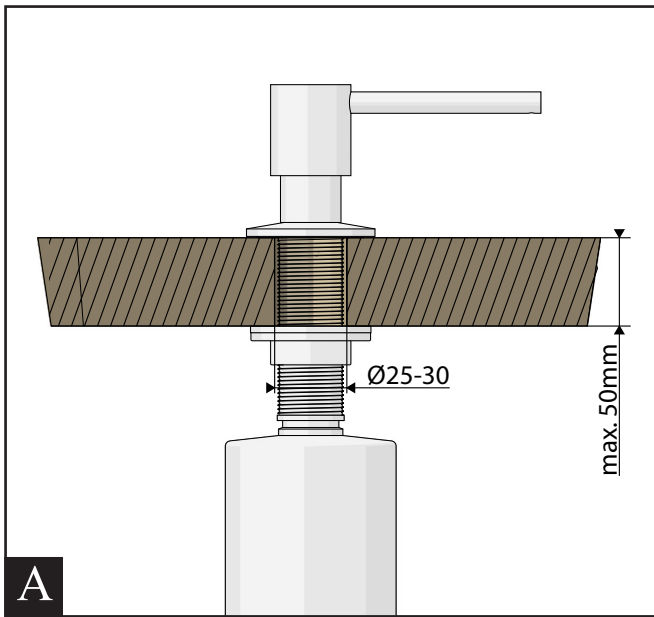


INSTALLATIONSVEJLEDNING
MONTAGEANWEISUNG
INSTALLATION INSTRUCTION
INSTRUCTIONS D'INSTALLATION
INSTALLATIE- -INSTRUCTIES
ISTRUZIONI DI INSTALLAZIONE
INSTRUCCIONES DE INSTALACIÓN



Rev. 000
 2021-07-05
 2028200

SOAP DISPENSER IN-TABLE



FM Mattsson Mora Group Denmark
 Hvidkærvej 48, 5250 Odense SV
 Abildager 26a, 2605 Brøndby
 Tlf. +45 88 33 00 34
 damixa-international@fmm-mora.com
 www.damixa.com

damixa