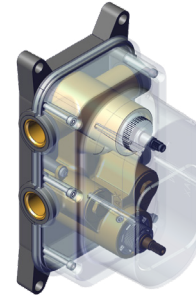
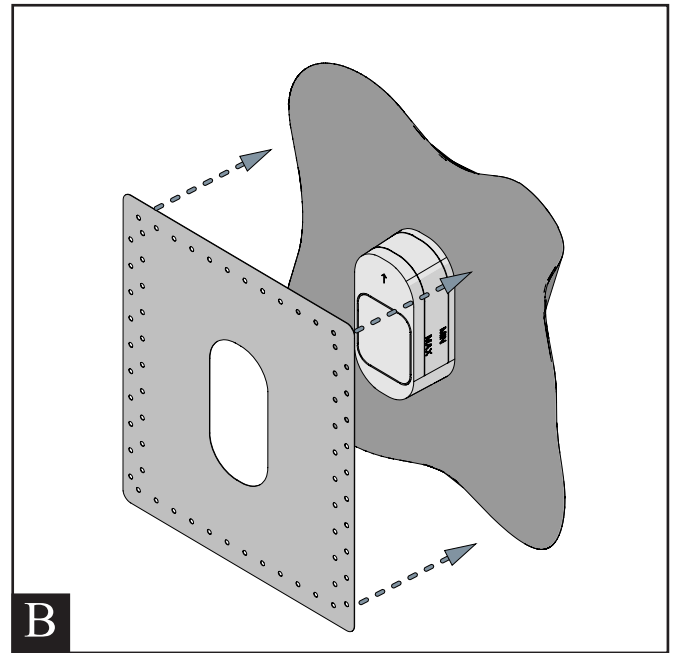
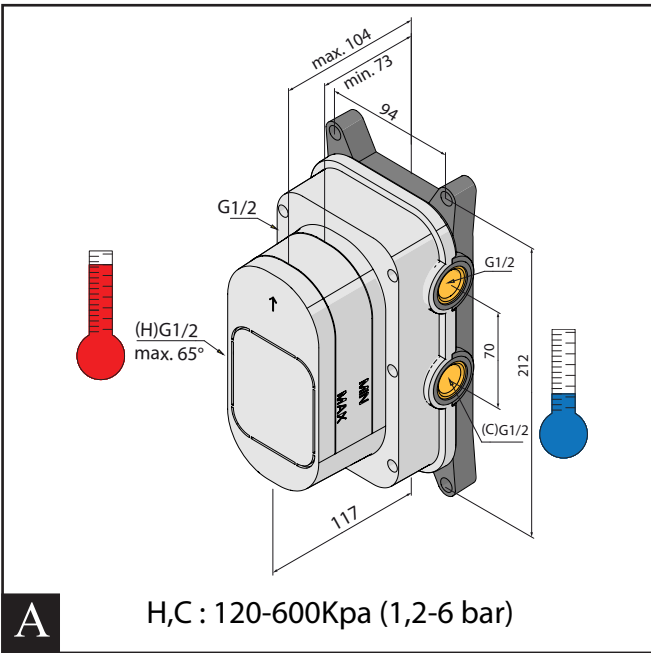


**INSTALLATIONSVEJLEDNING**  
**MONTAGEANWEISUNG**  
**INSTALLATION INSTRUCTION**  
**INSTRUCTIONS D'INSTALLATION**  
**INSTALLATIE INSTRUCTIES**  
**ISTRUZIONI DI INSTALLAZIONE**  
**INSTRUCCIONES DE INSTALACIÓN**

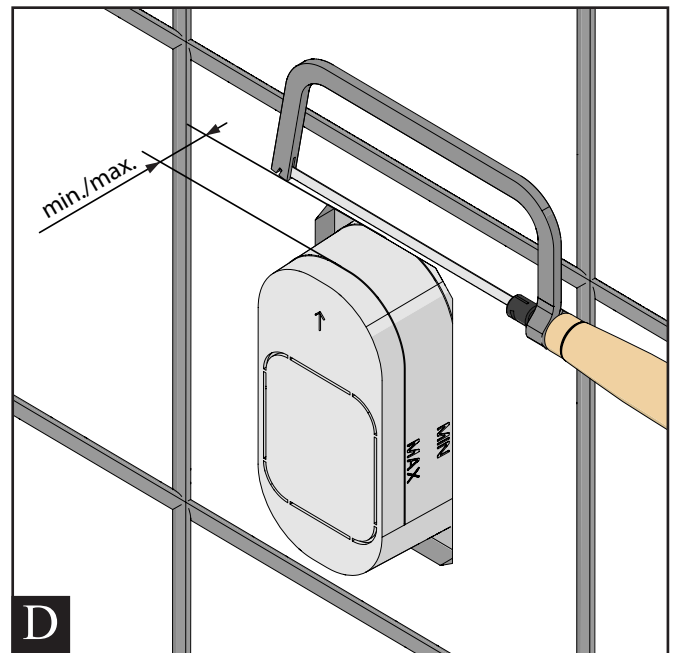
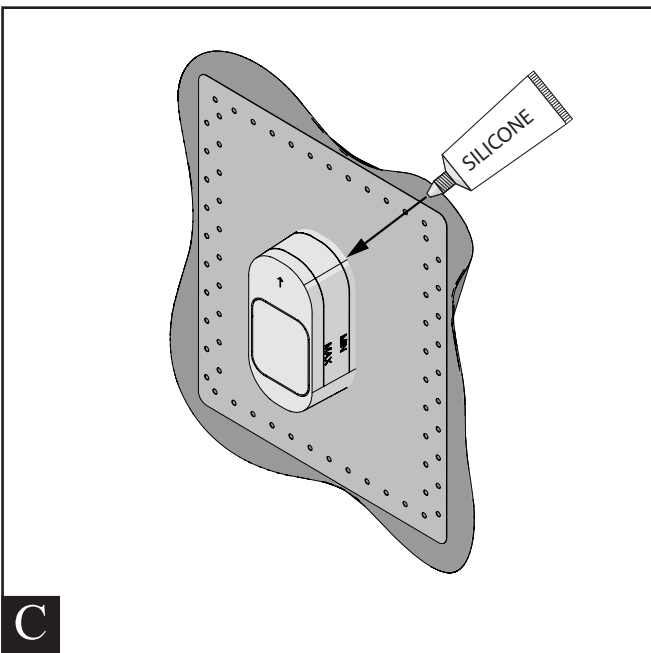


Rev. 001  
 2022-10-11  
 2029800

**CONCEALED**  
 Thermostatic Mixer



**INSTALLATION**



**FM Mattsson Denmark ApS**  
 Hvidkærvej 48, 5250 Odense SV  
 Abildager 26a, 2605 Brøndby  
 Tlf. +45 88 33 00 34  
 damixa-international@fmmattsongroup.com  
 www.damixa.com



# INSTALLATION

