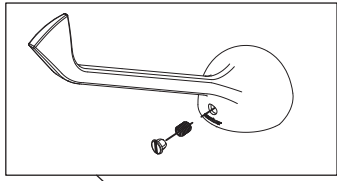
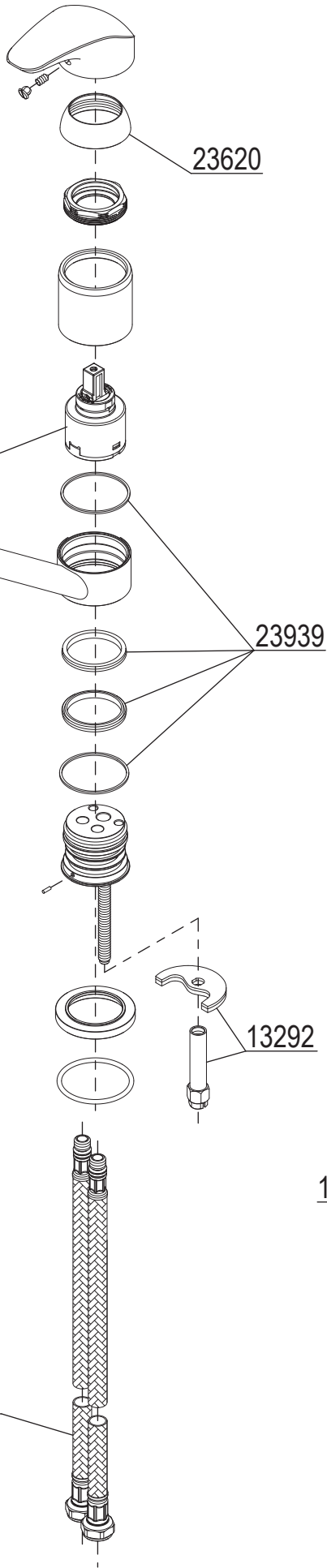


10000/10010\*  
1-9-2008



48420\*



10000(Old)

