

Installationsvejledning
Montageanweisung
Installation instruction
Instructions d'installation
Istruzioni di installazione
Installatie- -instructies
Instrucciones de instalación

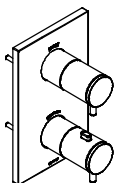
damixa

Østbirkvej 2, 5240 Odense NØ, Denmark
 Tel. +45 88 330 034
 E-mail: damixa@fmm-mora.com
 Homepage: www.damixa.com

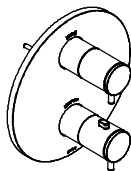
08.20

20225.00

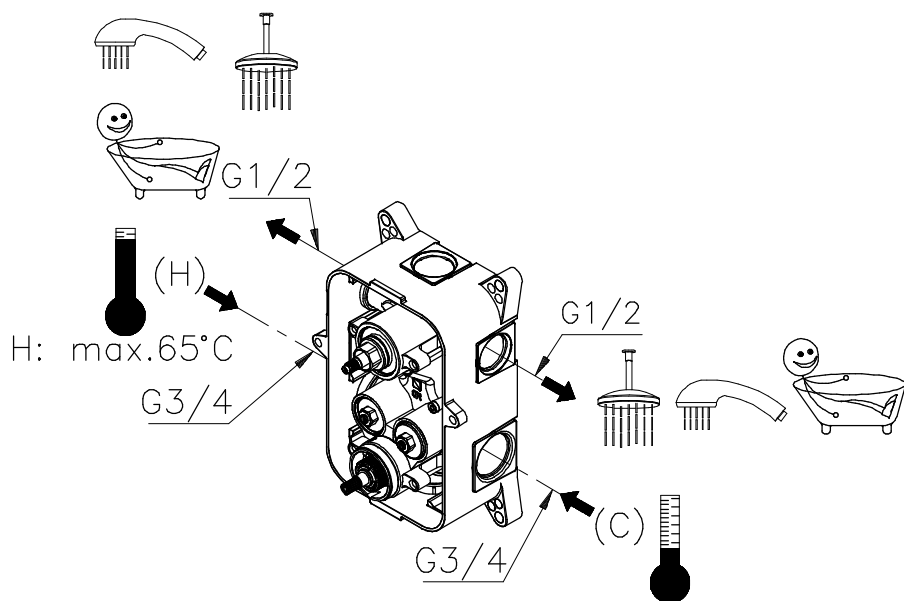
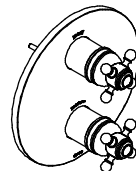
14704



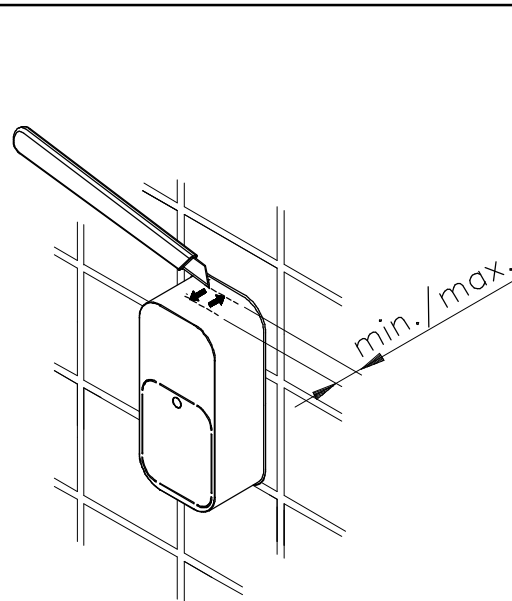
76704



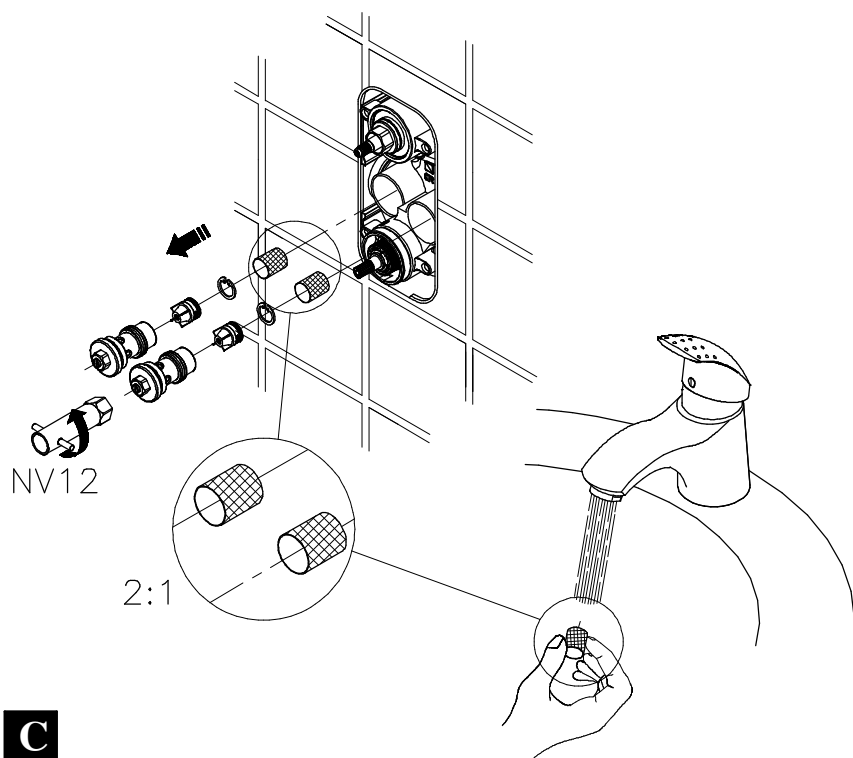
37704



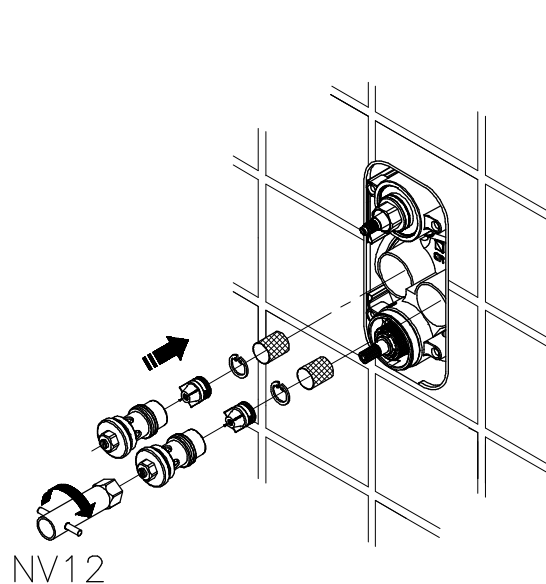
A H,C:120–1000 kPa(1.2–10 bar)



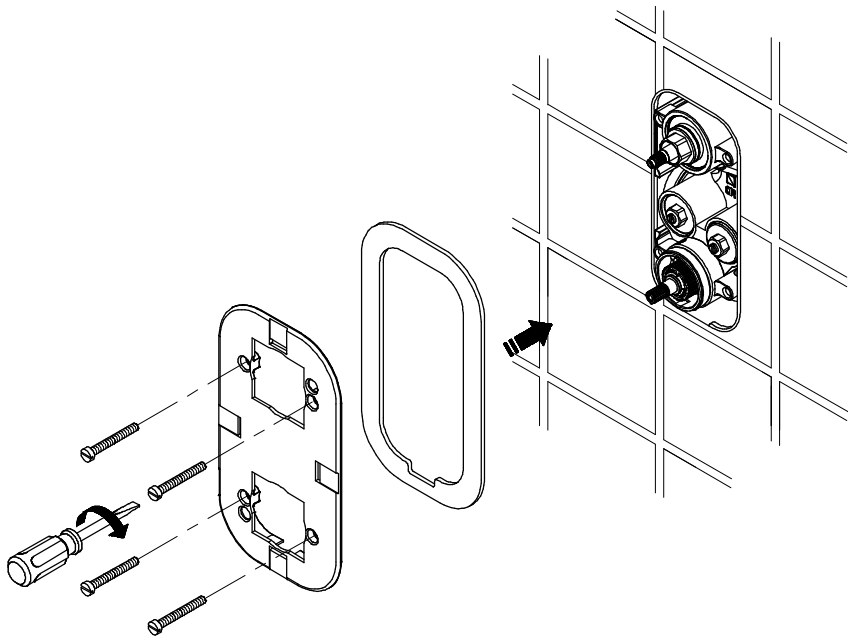
B



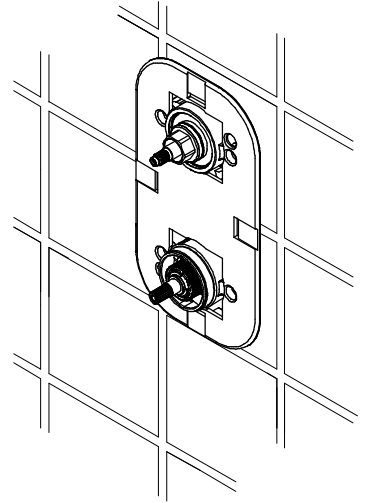
C



D



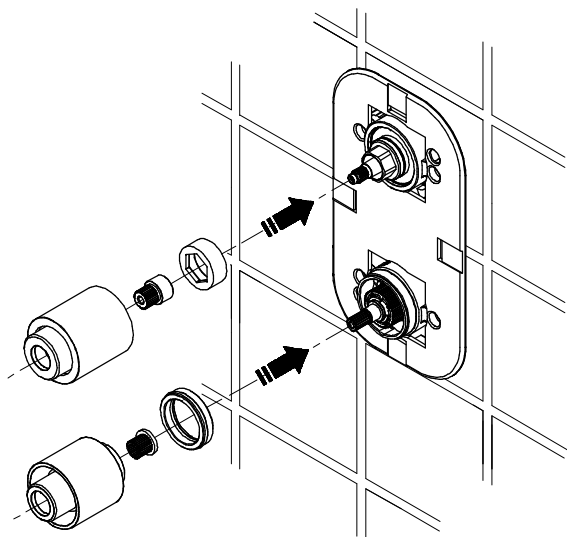
E



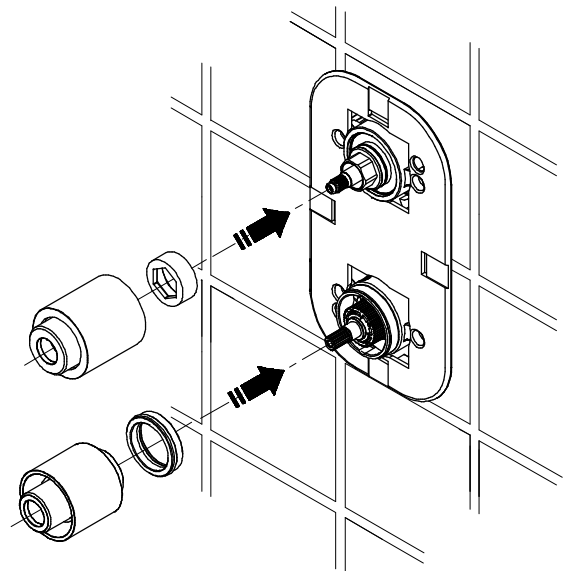
F

**14704
76704**

37704



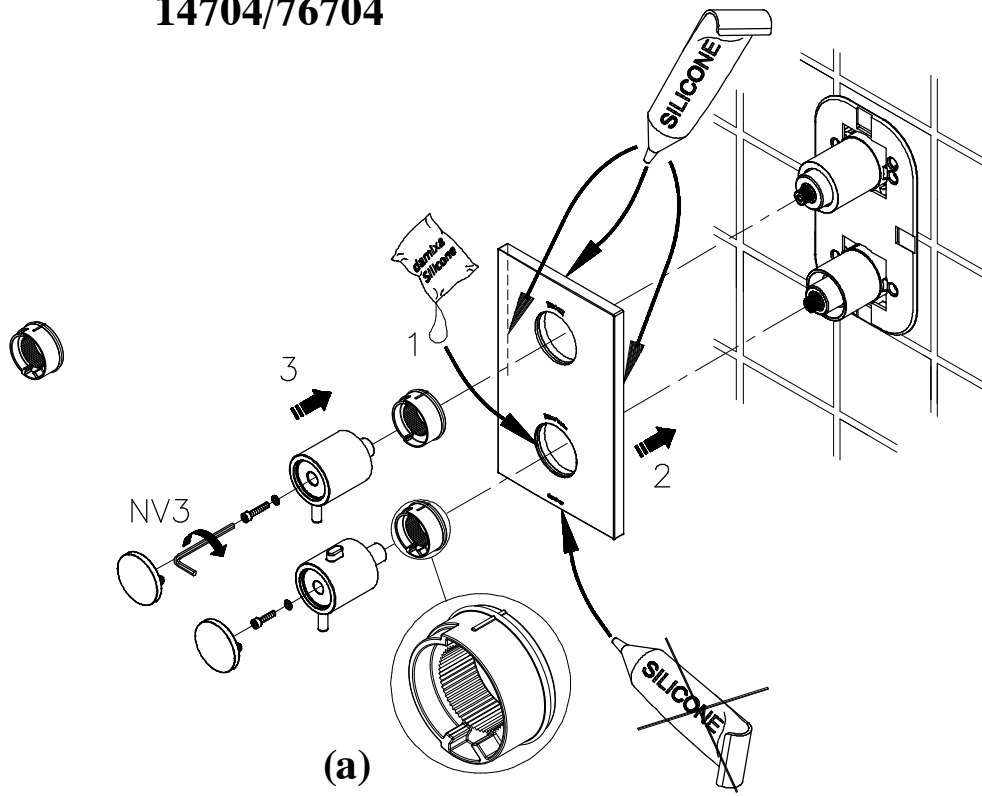
(a)



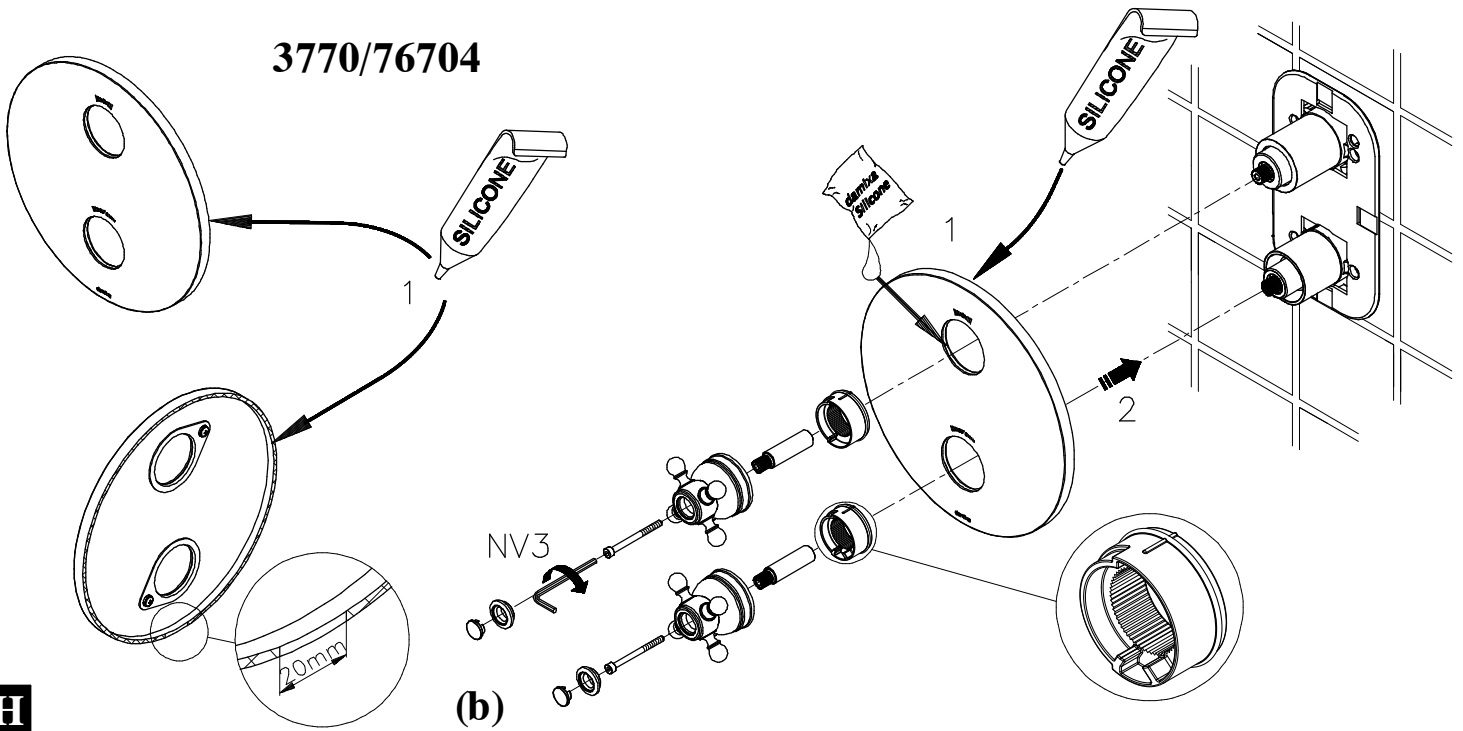
(b)

G

14704/76704



3770/76704



H

