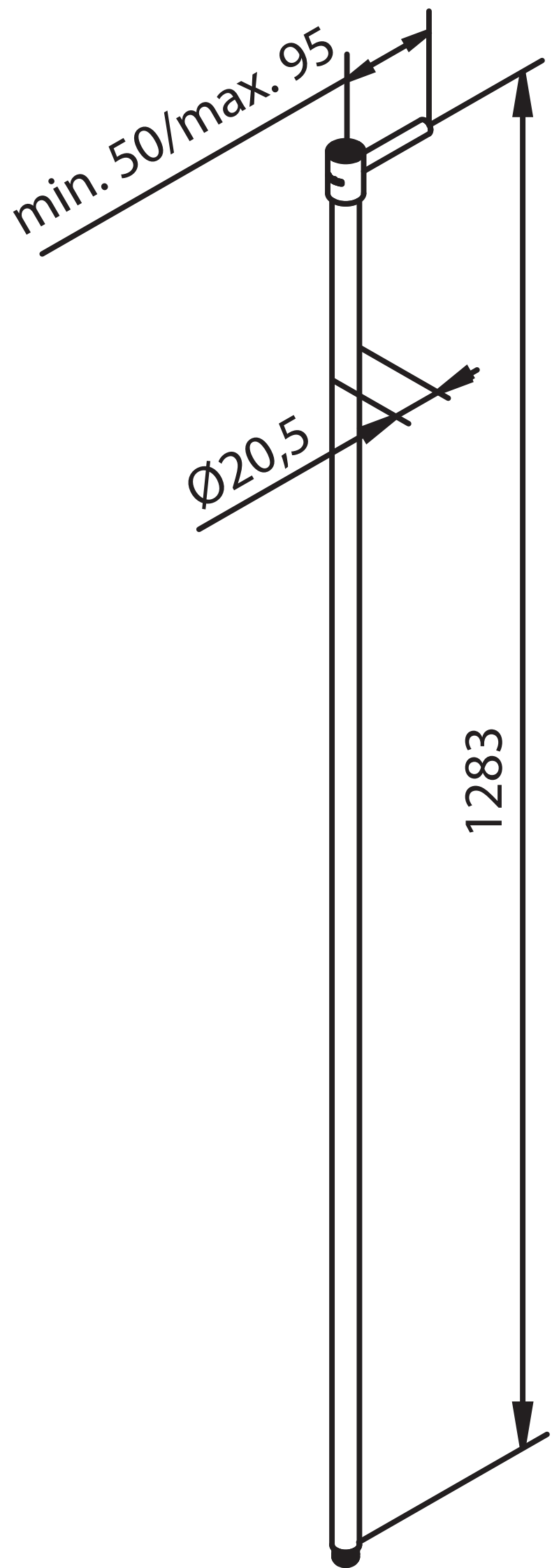


min. 50/max. 95

A technical drawing of a vertical rod. The rod is shown in a perspective view, extending from the bottom to the top. At the top, there is a cylindrical cap or fitting. A dimension line with arrows at both ends is drawn parallel to the rod, indicating a length of 'min. 50/max. 95'. Another dimension line is drawn perpendicular to the rod, indicating a diameter of 'Ø20,5'. A long vertical dimension line on the right side of the rod indicates a total length of '1283'.

Ø20,5

1283