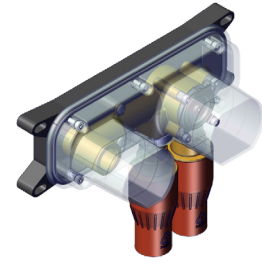
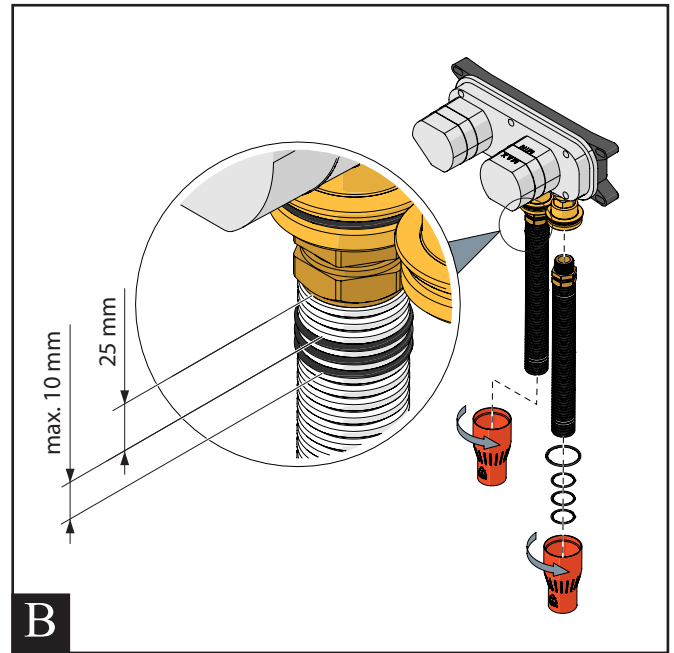
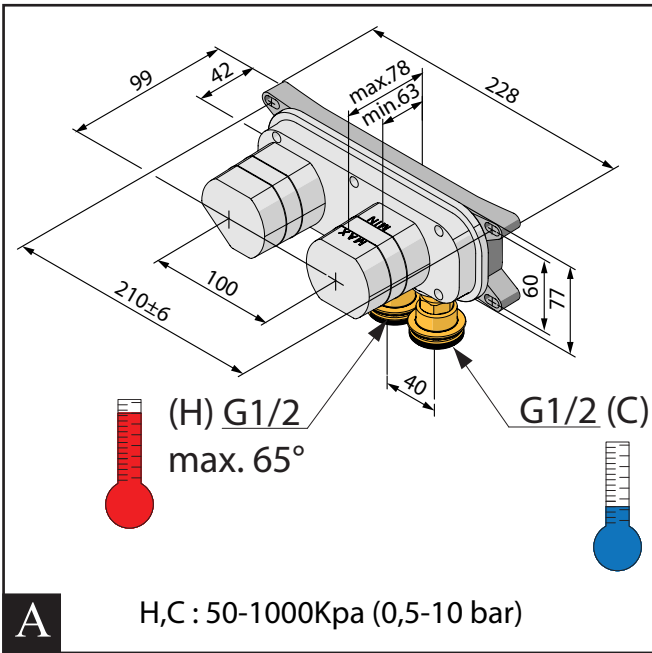


**INSTALLATIONSVEJLEDNING**  
**MONTAGEANWEISUNG**  
**INSTALLATION INSTRUCTION**  
**INSTRUCTIONS D'INSTALLATION**  
**INSTALLATIE INSTRUCTIES**  
**ISTRUZIONI DI INSTALLAZIONE**  
**INSTRUCCIONES DE INSTALACIÓN**

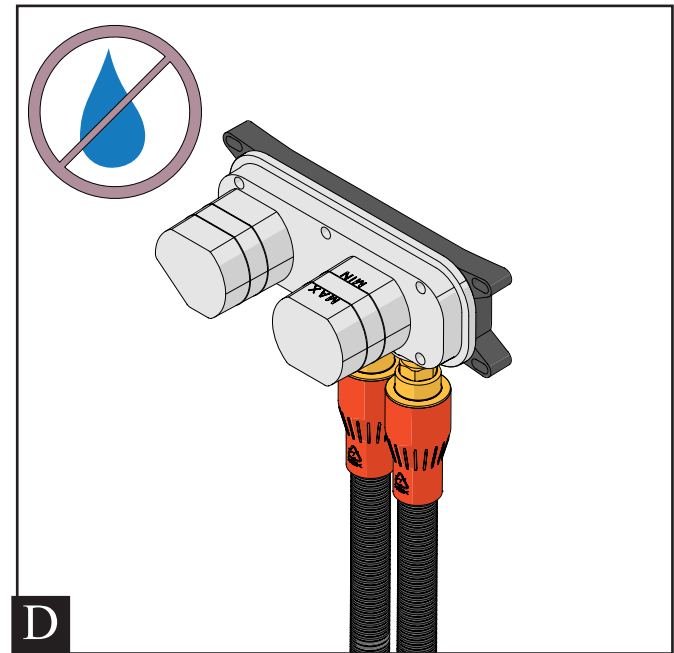
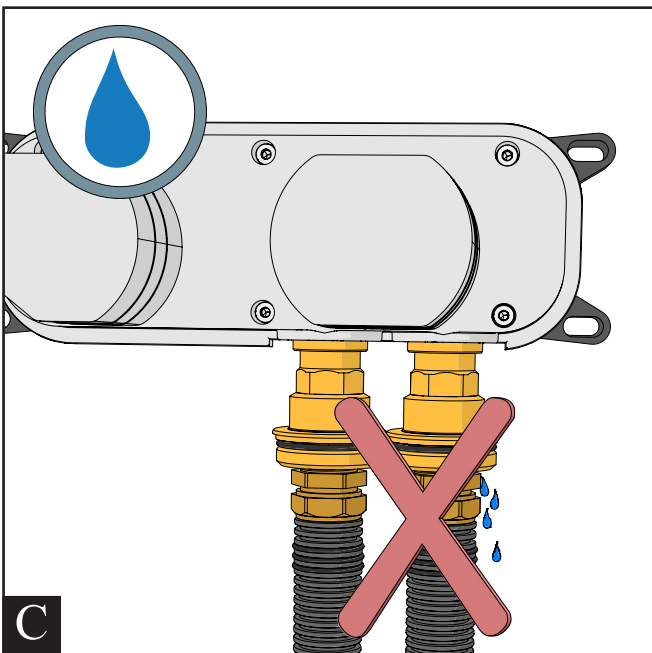


Rev. 002  
 2023-02-03  
 2030500

**CONCEALED**  
 Basin Mixer



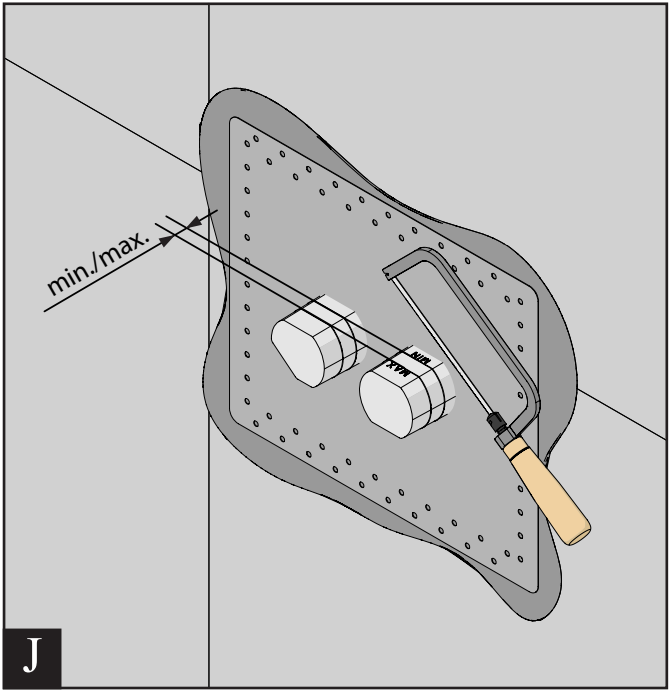
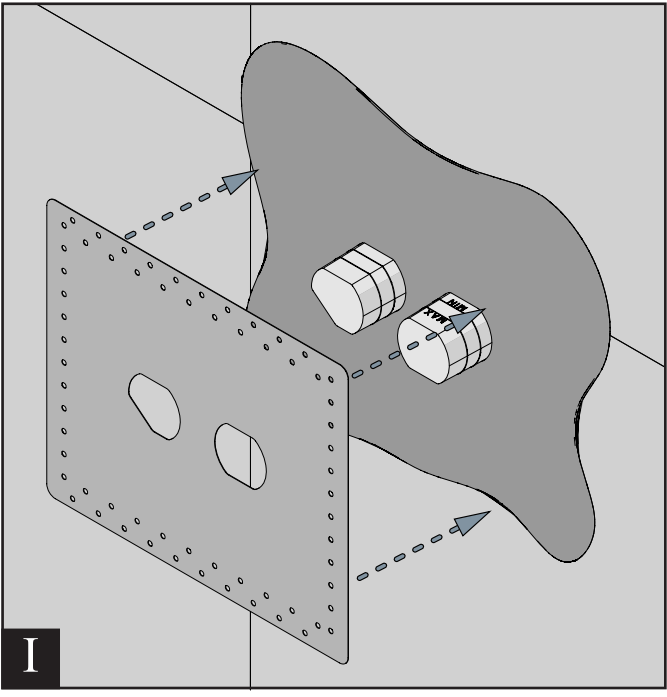
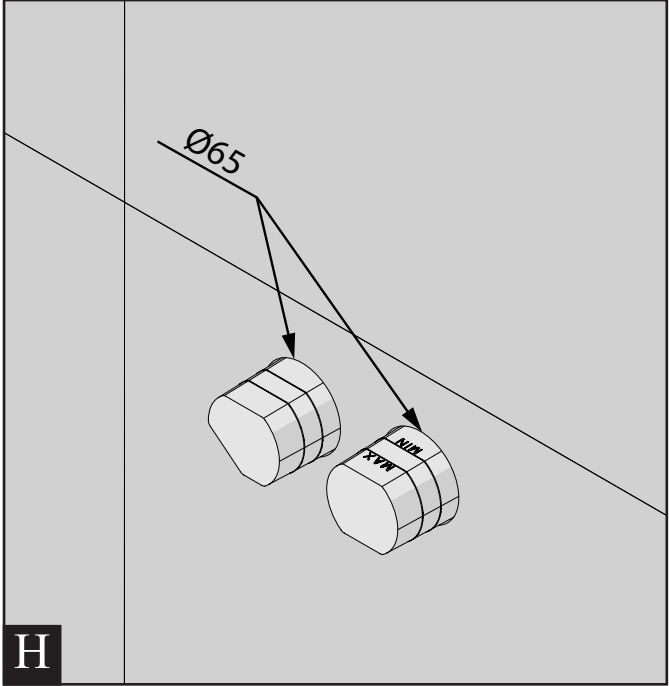
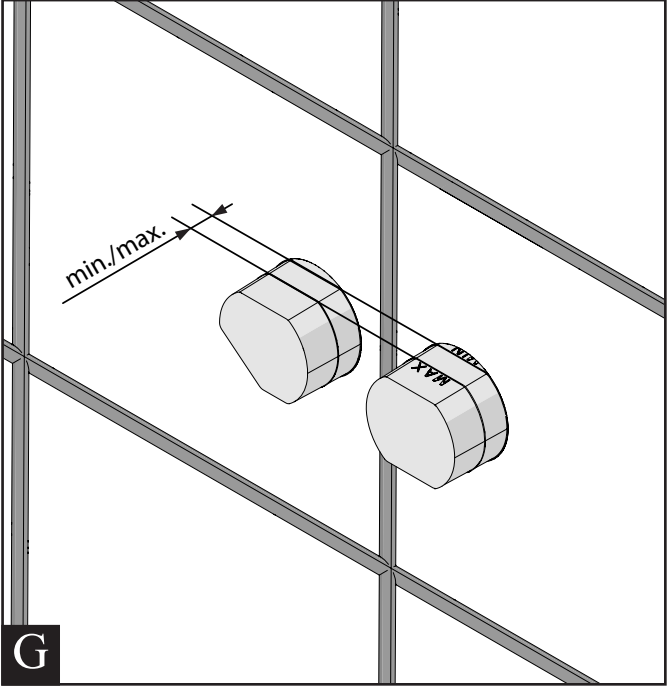
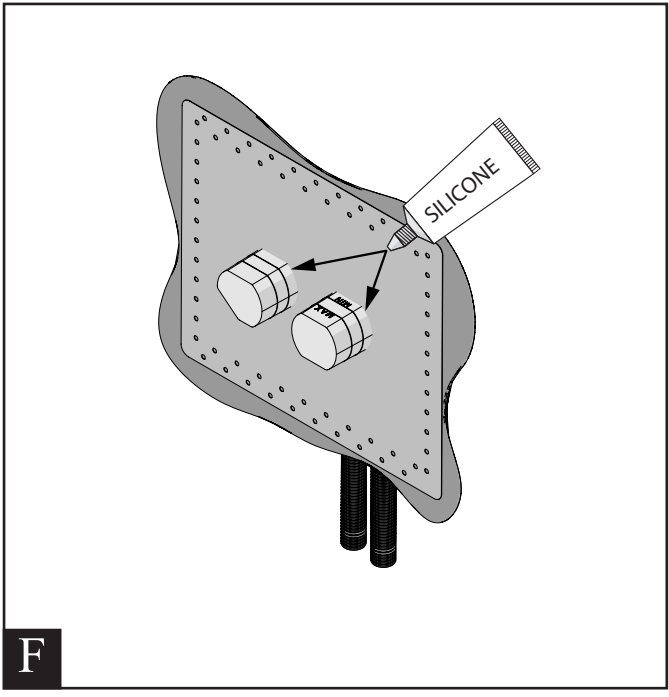
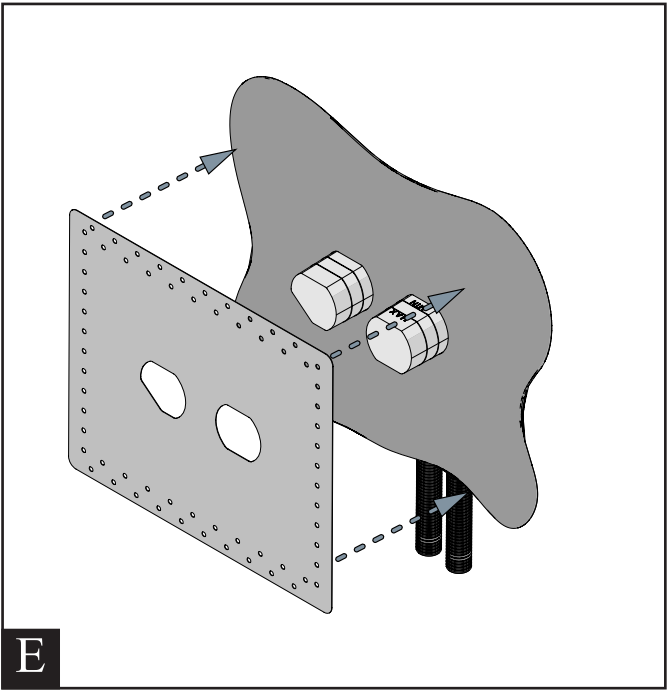
**INSTALLATION**



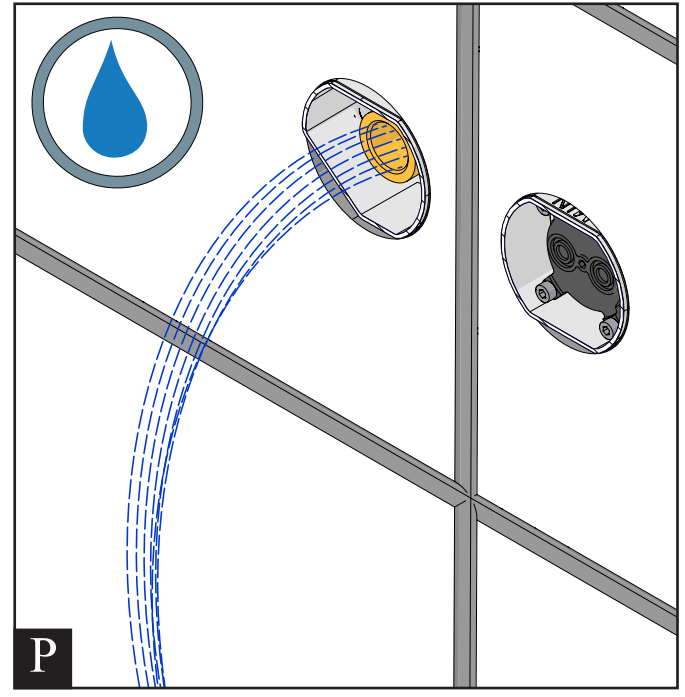
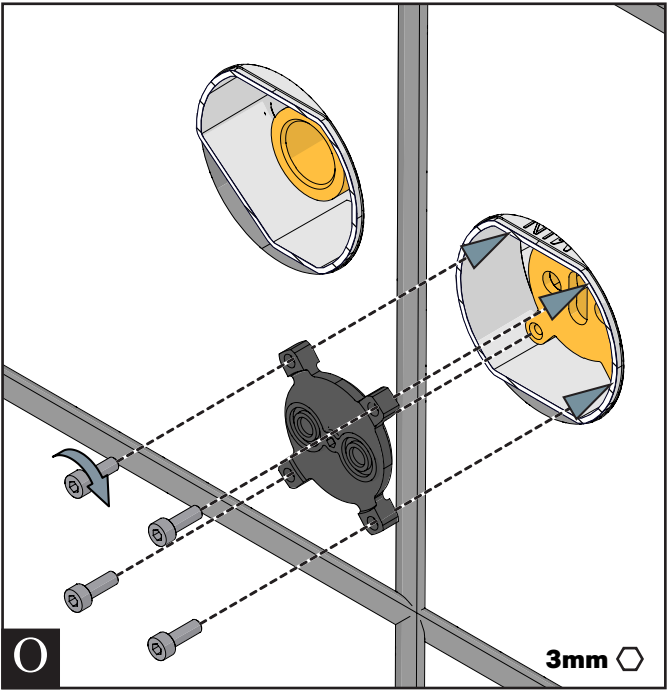
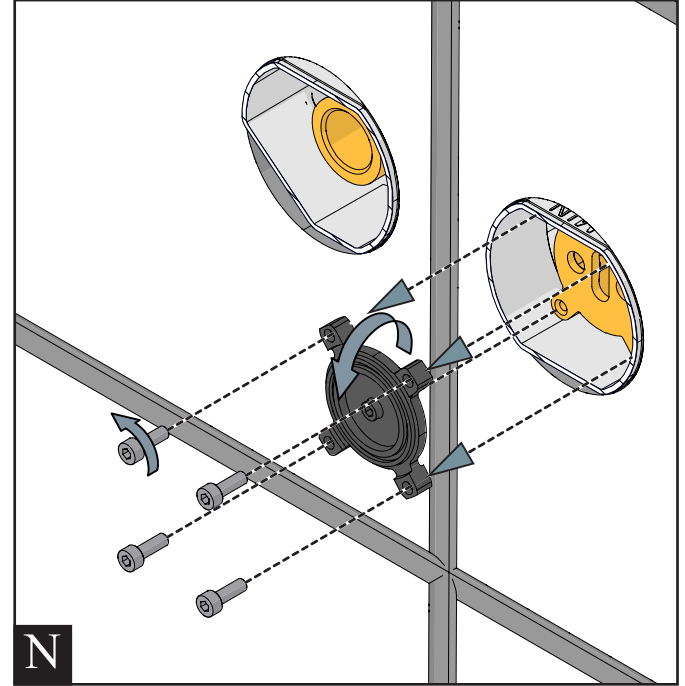
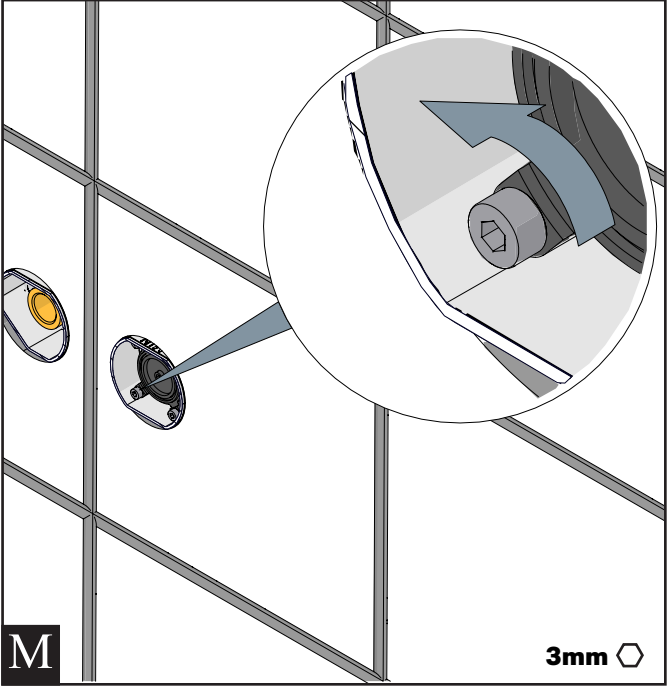
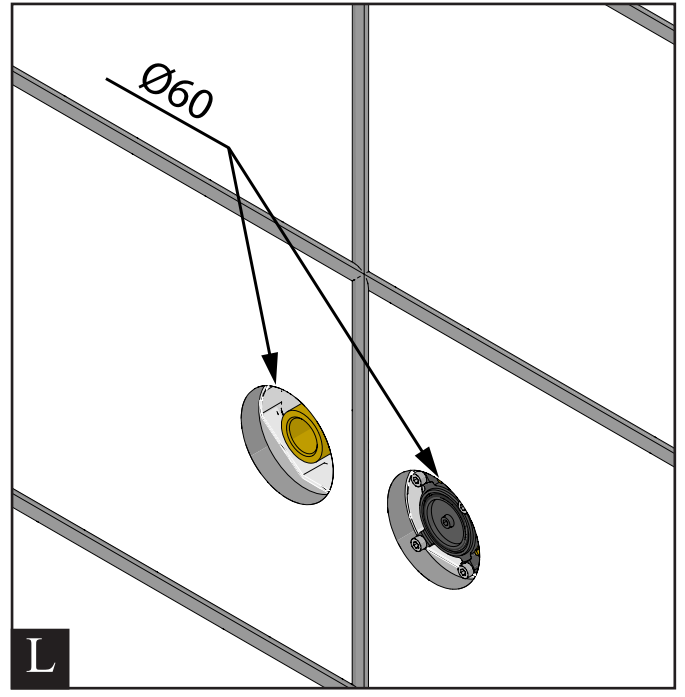
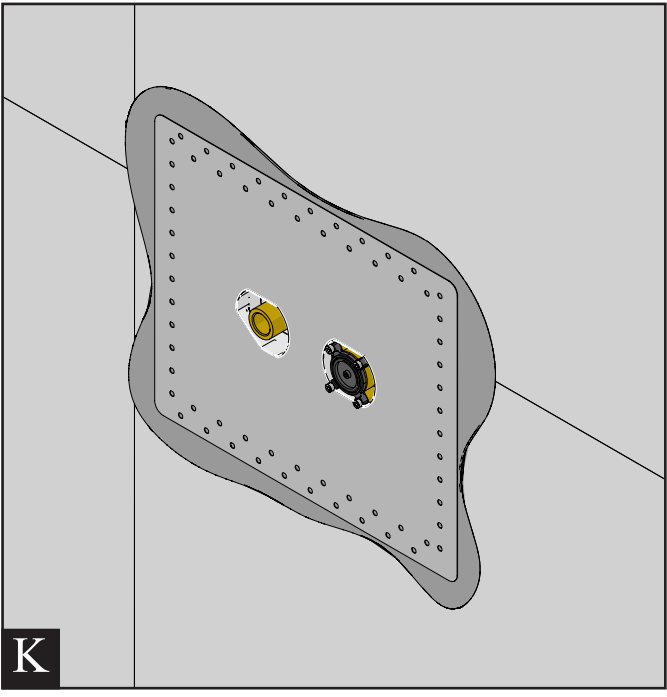
**FM Mattsson Denmark ApS**  
 Hvidkærvej 48, 5250 Odense SV  
 Abildager 26a, 2605 Brøndby  
 Tlf. +45 88 33 00 34  
 damixa-international@fmmattssongroup.com  
 www.damixa.com

**damixa**

# INSTALLATION



# INSTALLATION



# INSTALLATION

