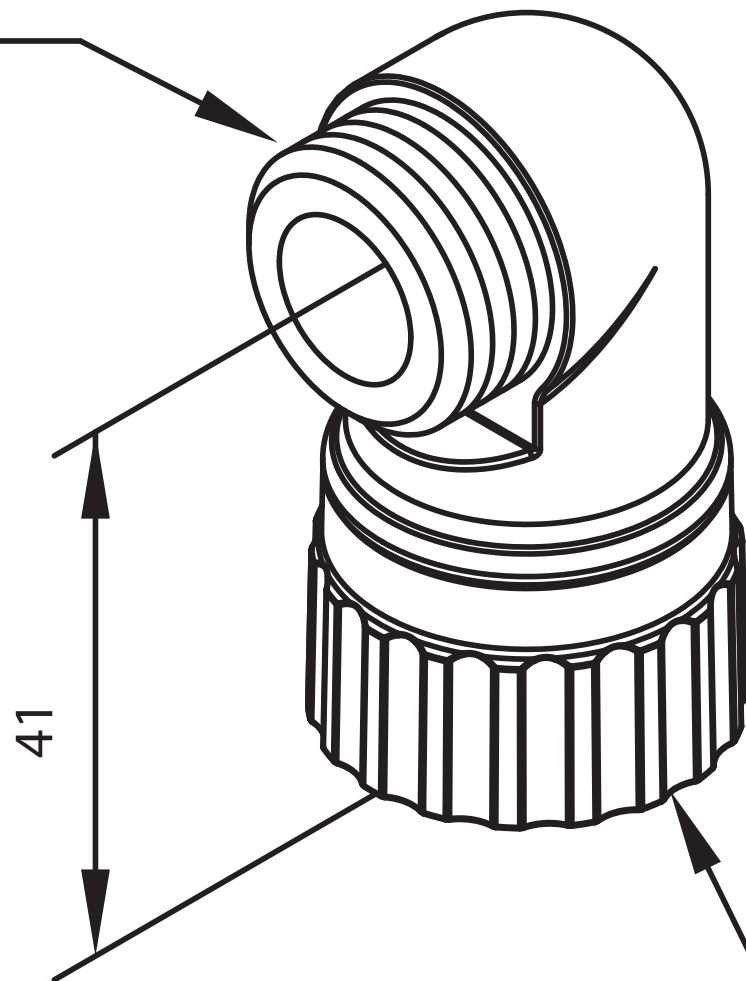


G1/2



41

G1/2