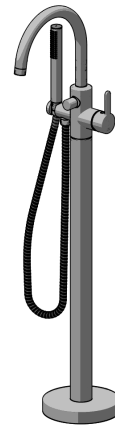
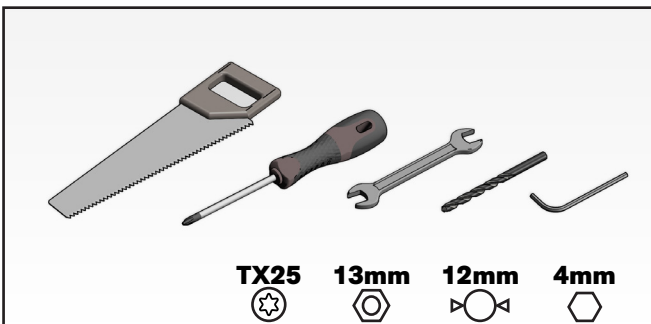
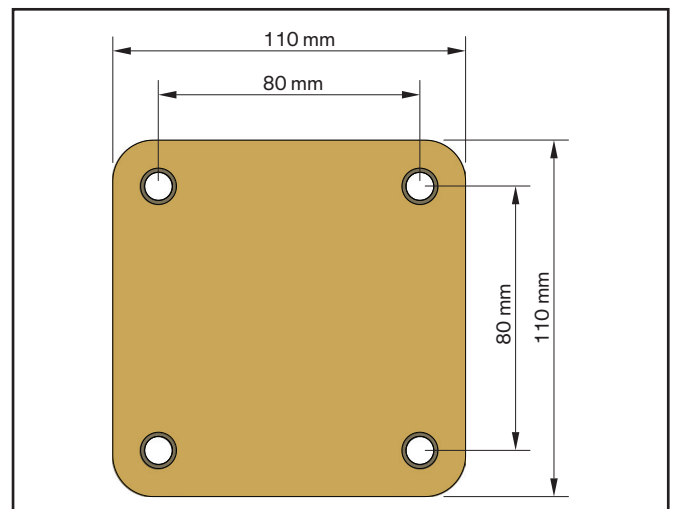
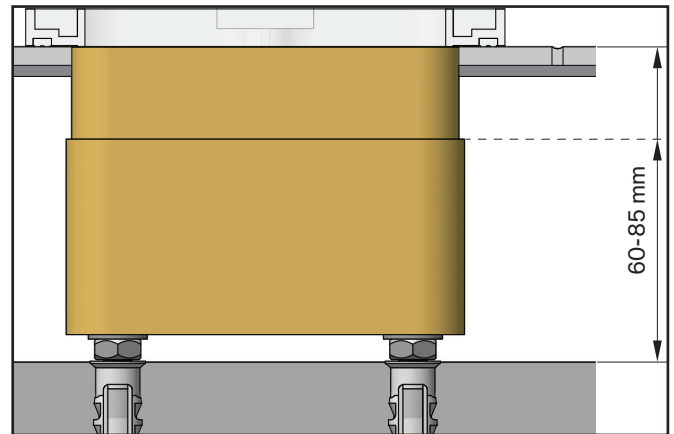
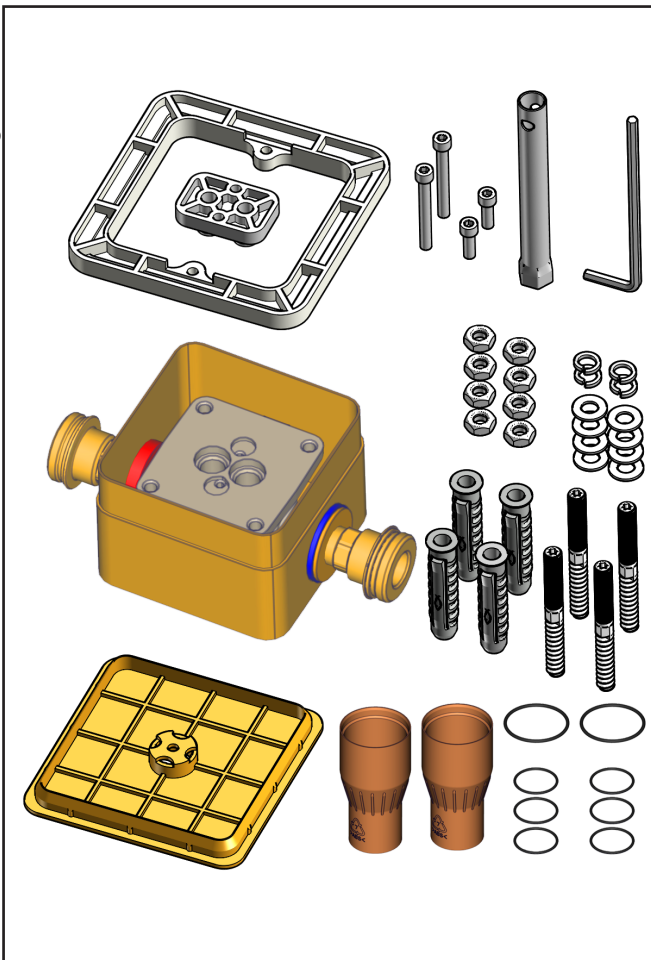


**INSTALLATIONSVEJLEDNING**  
**MONTAGEANWEISUNG**  
**INSTALLATION INSTRUCTION**  
**INSTRUCTIONS D'INSTALLATION**  
**INSTALLATIE INSTRUCTIES**  
**ISTRUZIONI DI INSTALLAZIONE**  
**INSTRUCCIONES DE INSTALACIÓN**



Rev. 000  
 2022-12-13  
 2031200

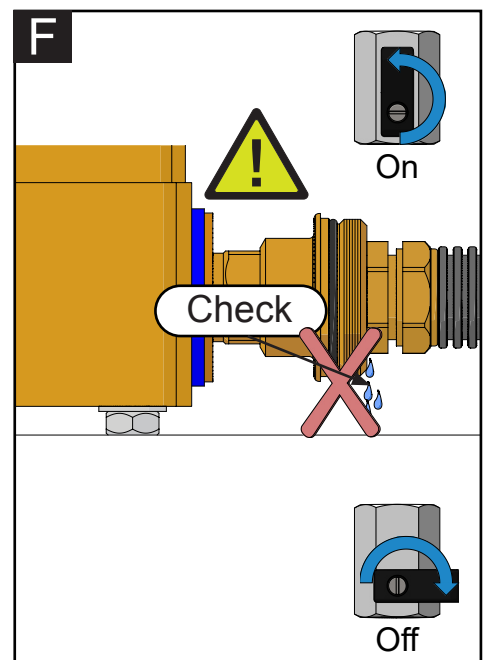
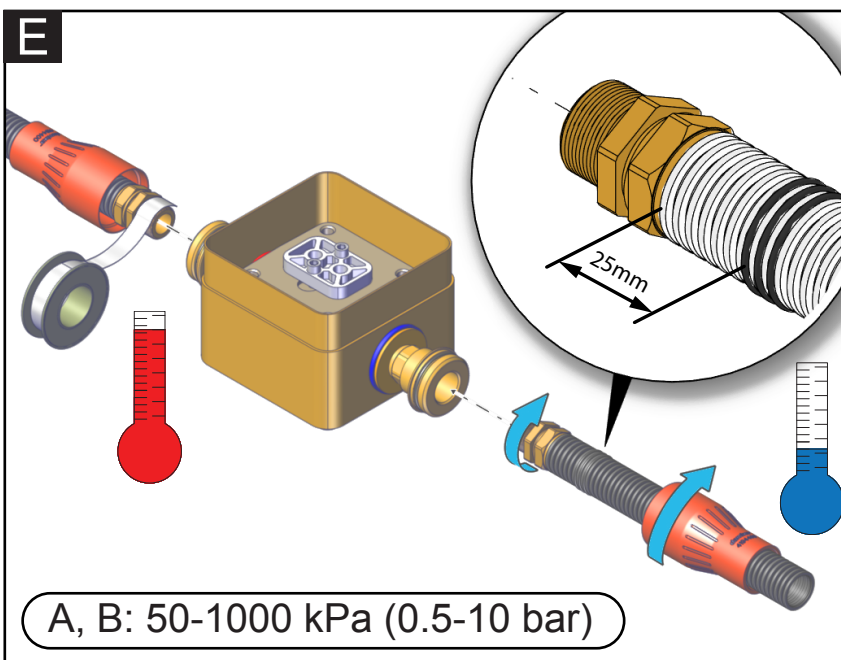
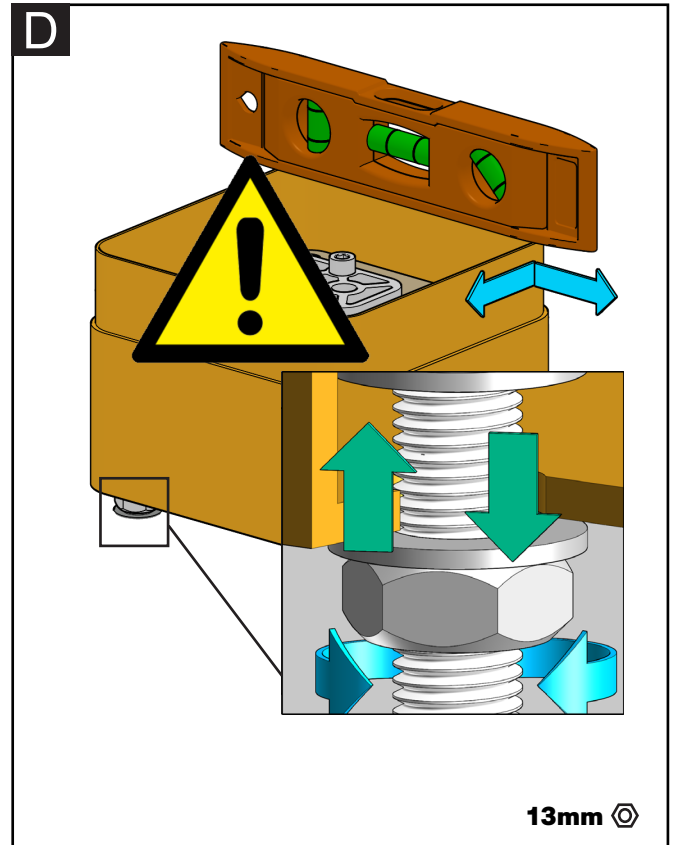
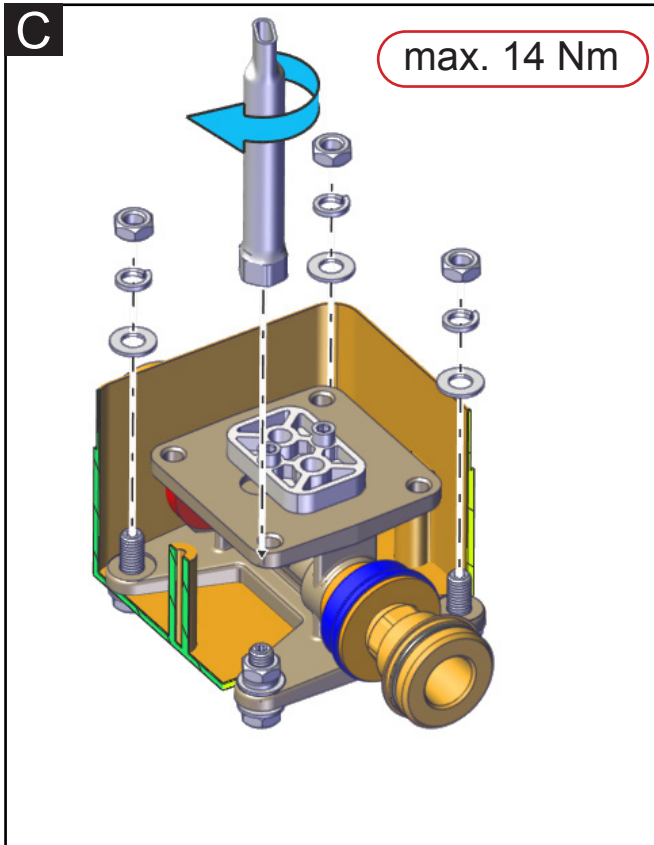
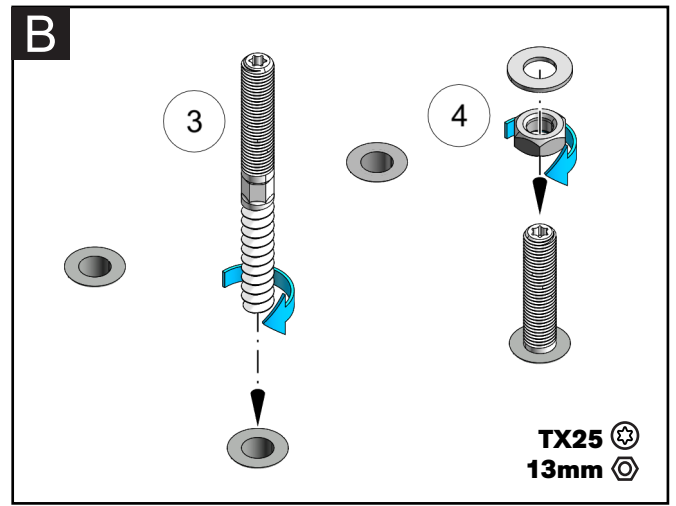
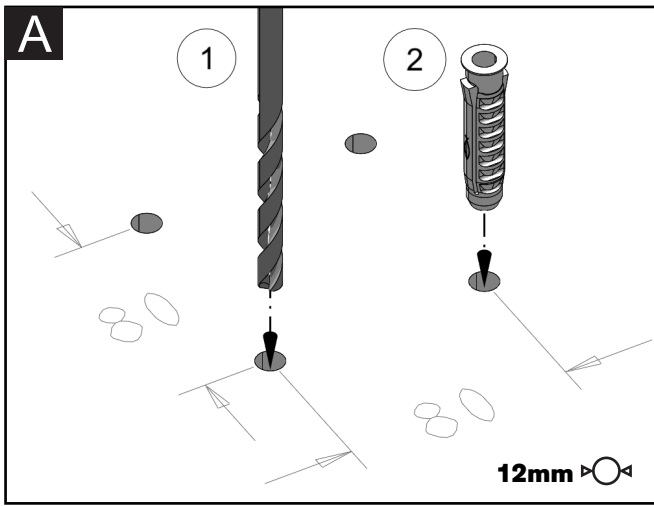
**MOUNTING BOX**  
 Freestanding bath mixer



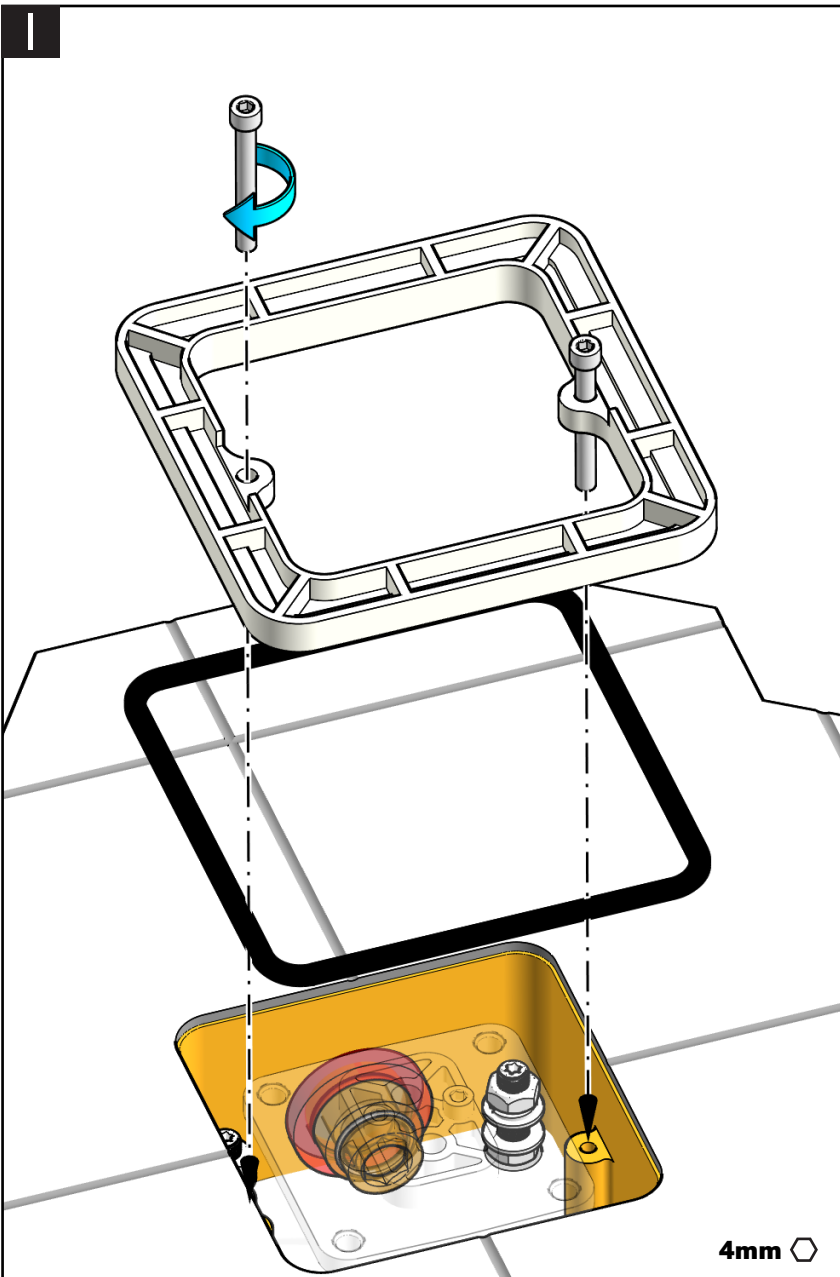
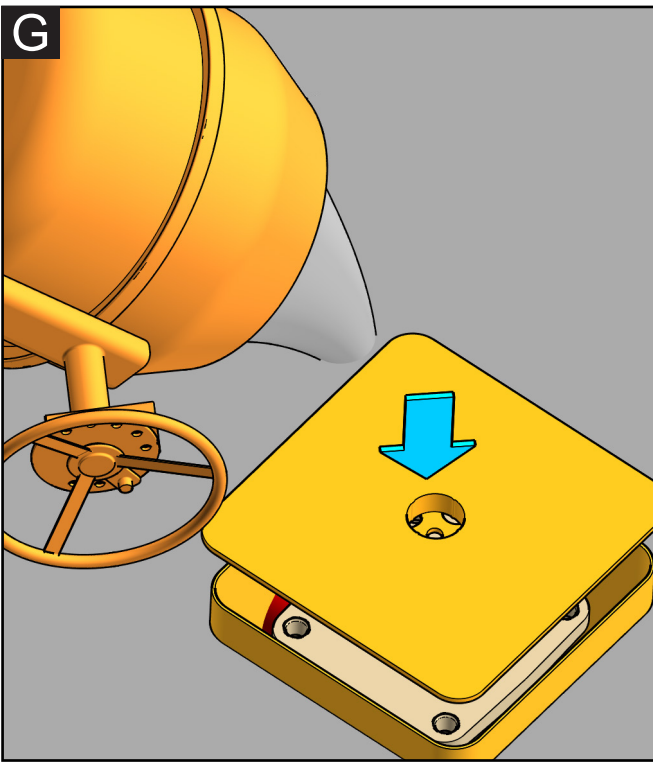
**FM Mattsson Denmark ApS**  
 Hvidkærvej 48, 5250 Odense SV  
 Abildager 26a, 2605 Brøndby  
 Tlf. +45 88 33 00 34  
 damixa-international@fmmattssongroup.com  
 www.damixa.com

**damixa**

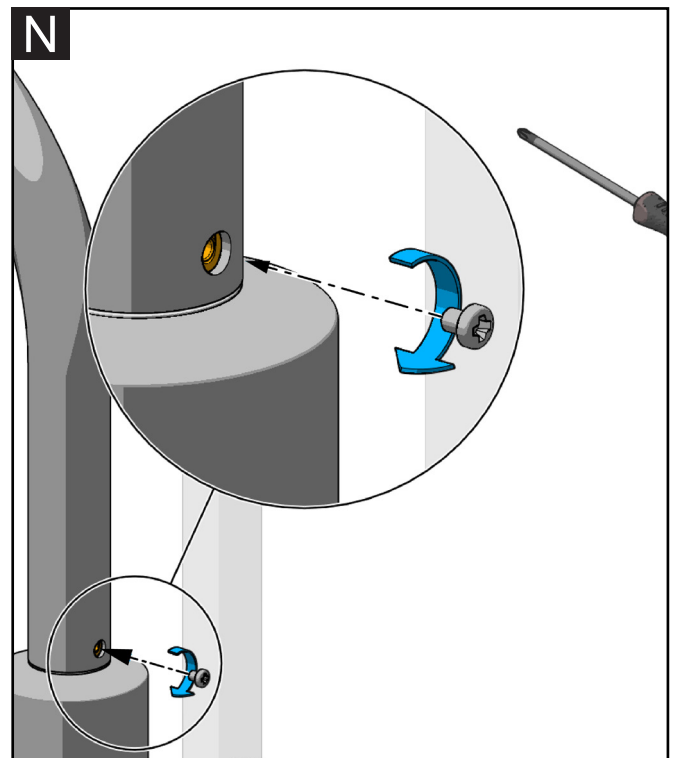
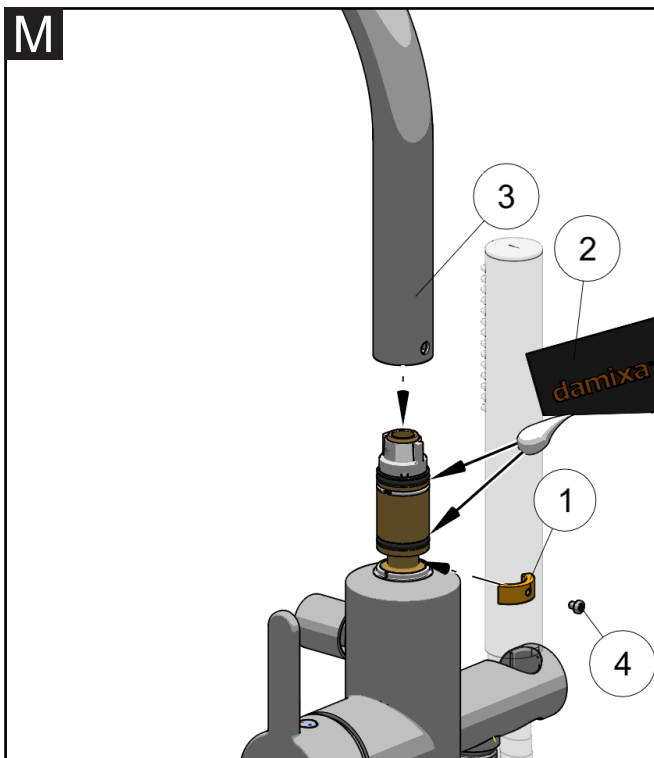
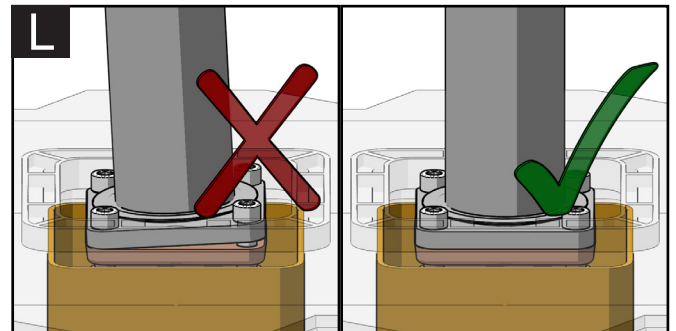
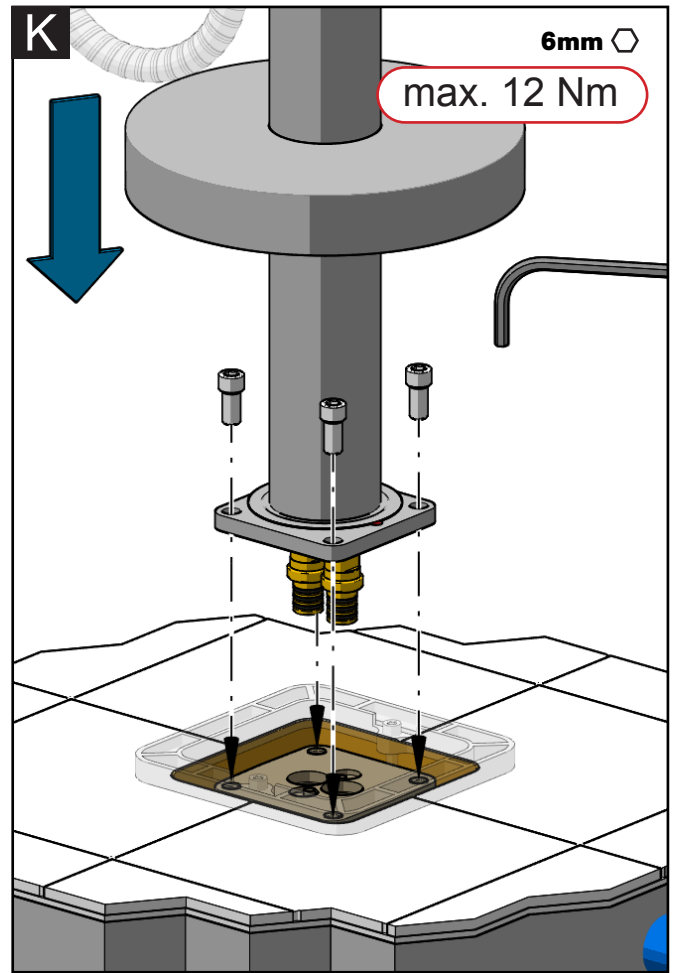
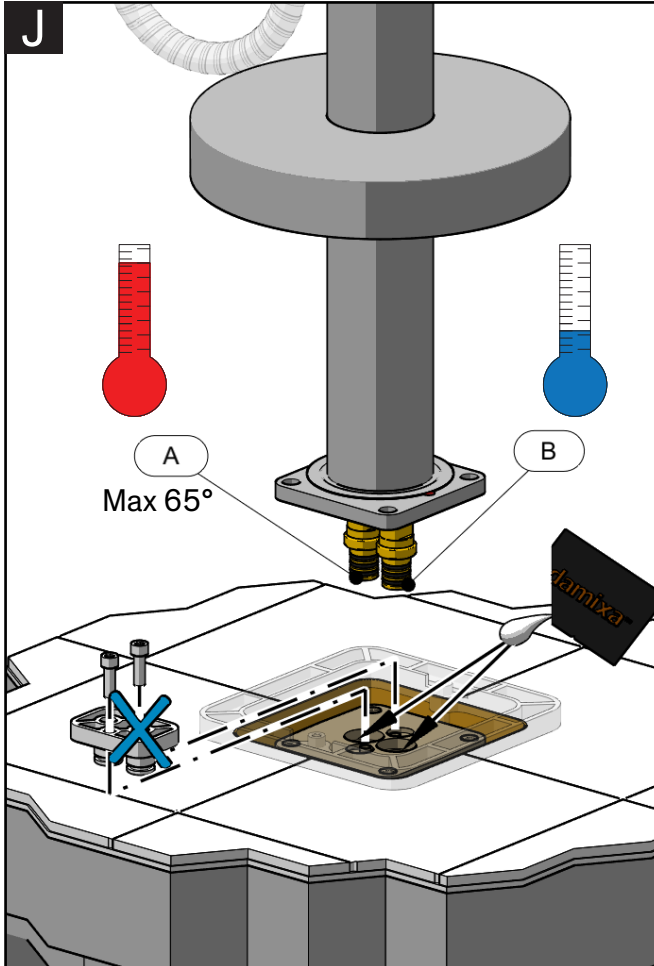
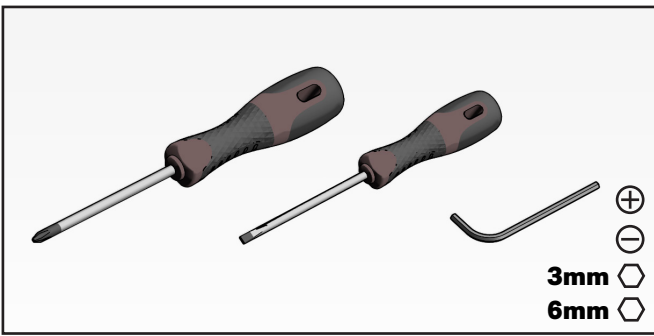
# INSTALLATION



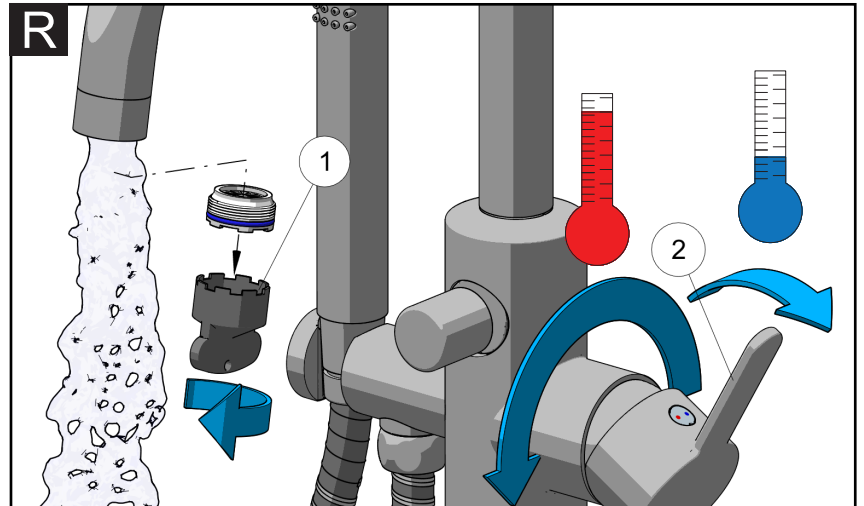
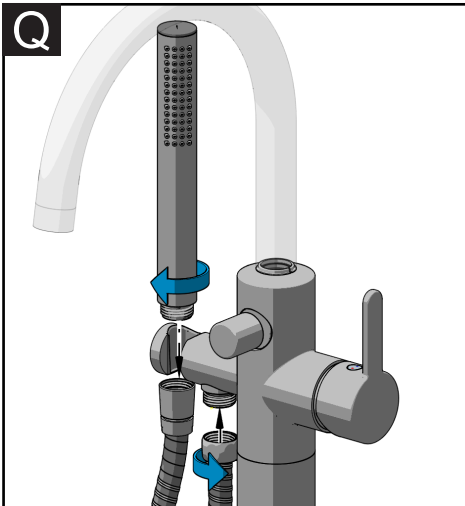
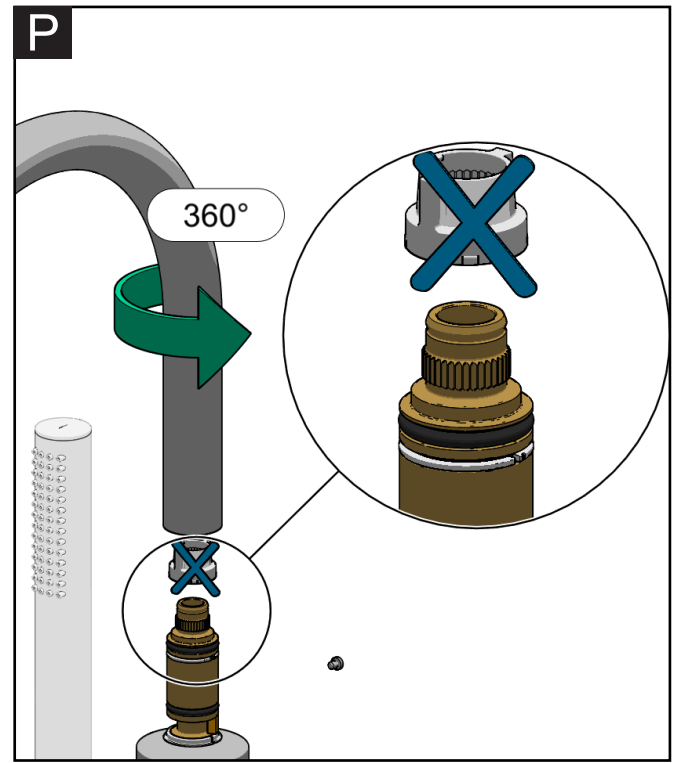
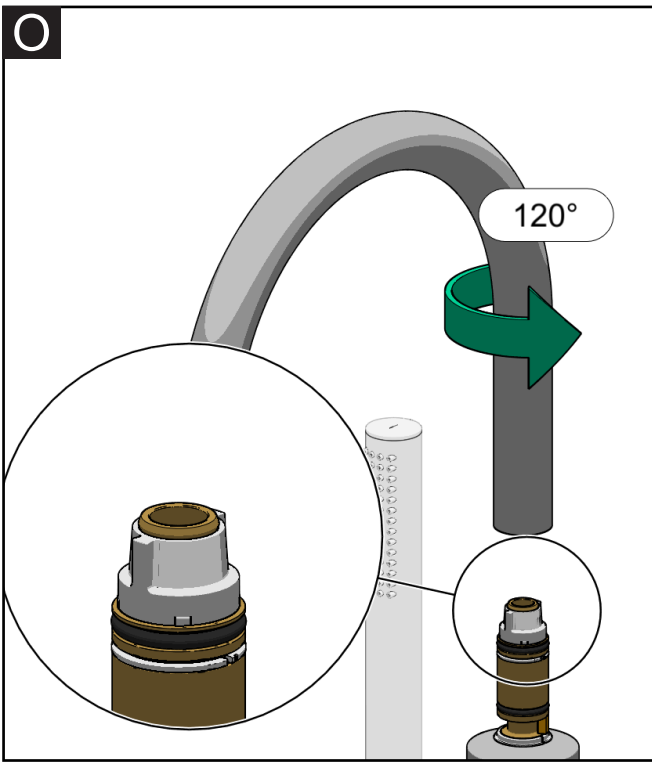
# INSTALLATION

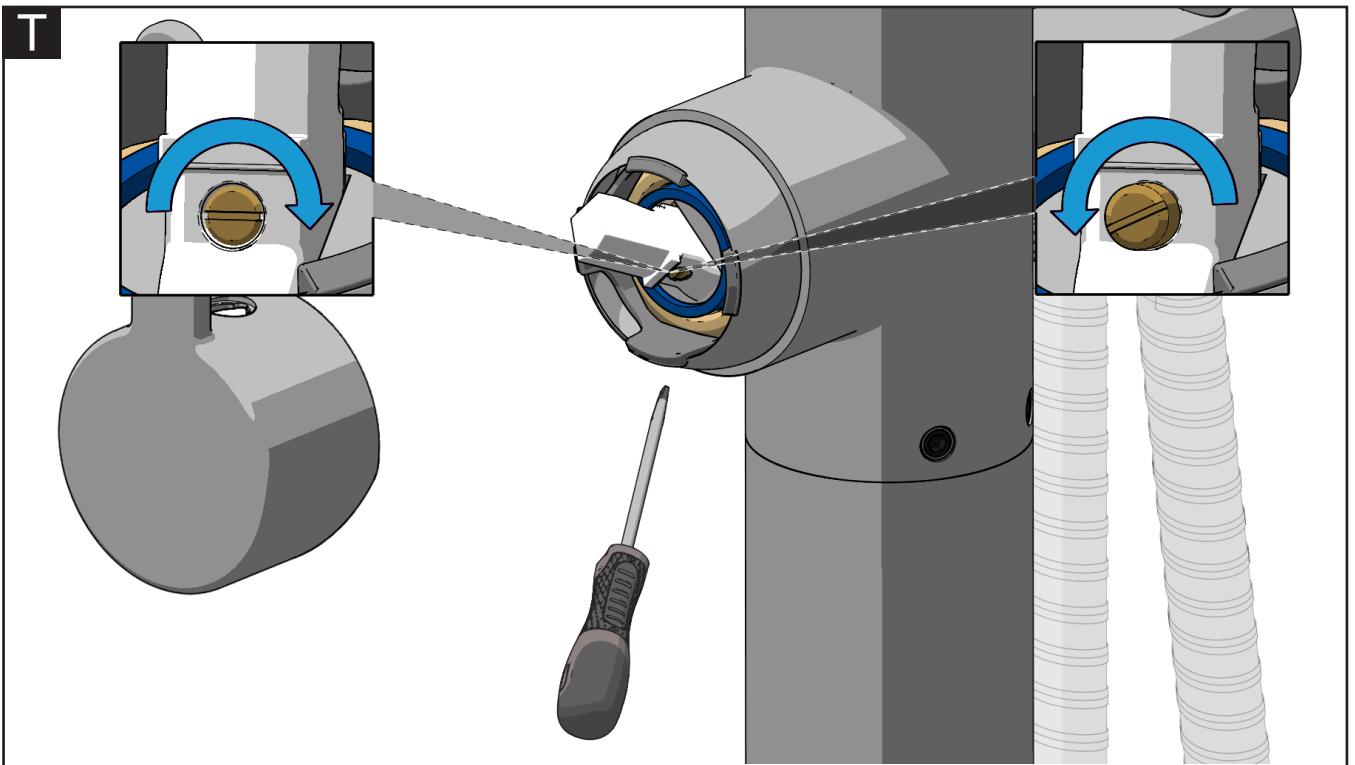
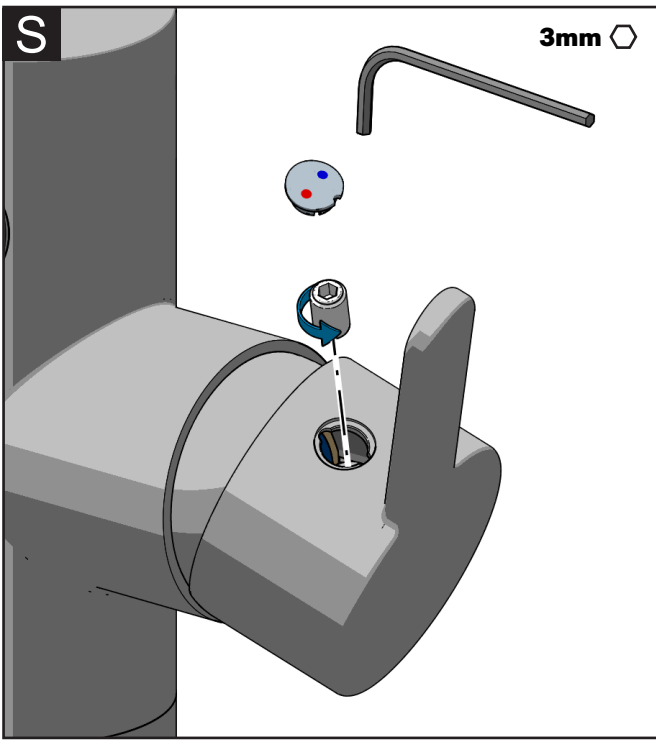


# FREESTANDING BATH MIXER

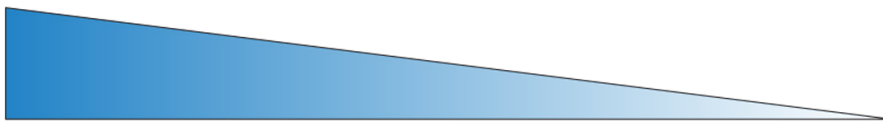


# ADJUSTMENTS





Max.  
(L/min)



Min.  
(L/min)

