

INSTALLATIONSVEJLEDNING
MONTAGEANWEISUNG
INSTALLATION INSTRUCTION
INSTRUCTIONS D'INSTALLATION
INSTALLATIE INSTRUCTIES
ISTRUZIONI DI INSTALLAZIONE
INSTRUCCIONES DE INSTALACIÓN

damixa

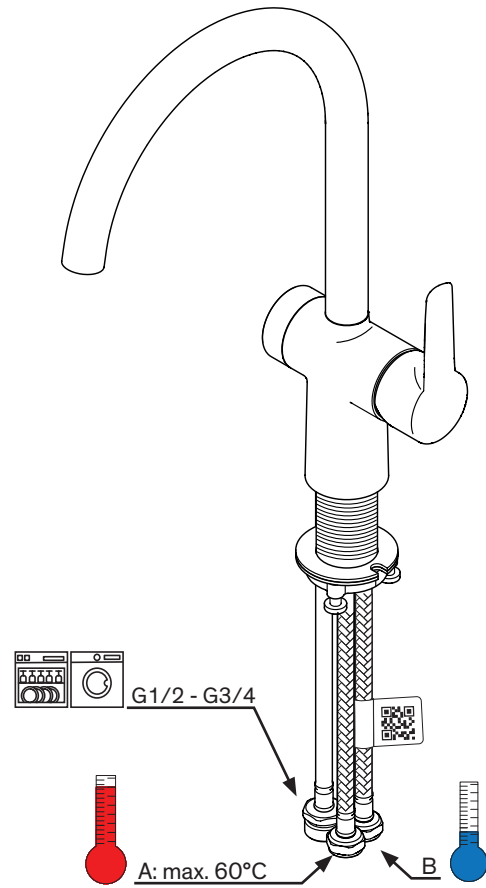
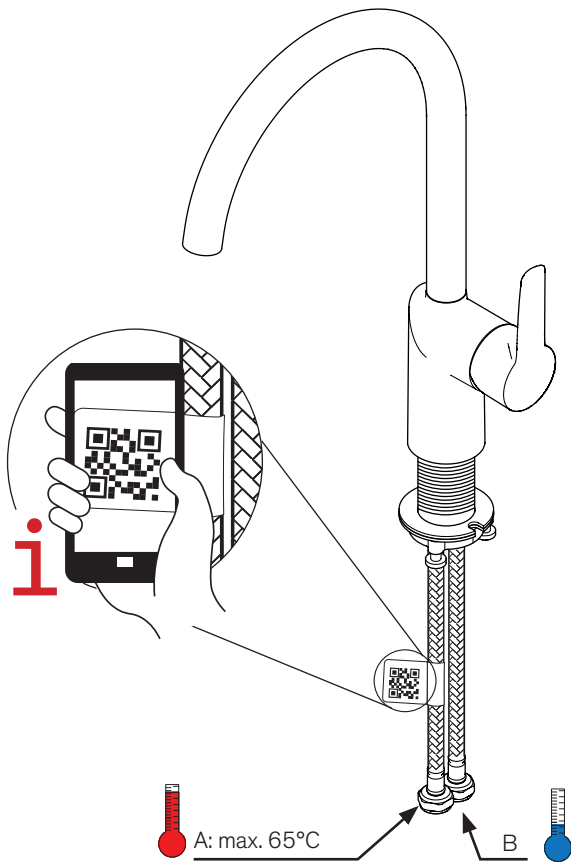
FM Mattsson Danmark ApS

Hvidkærvej 48, 5250 Odense SV
 Abildager 26a, 2605 Brøndby
 Tlf. +45 88 33 00 34
 damixa-international@fmm-mora.com
 www.damixa.com

Rev. 001
 13/10/2023
 2033300

[1]: Without dishwasher shut off valve

[2]: **With** dishwasher shut off valve

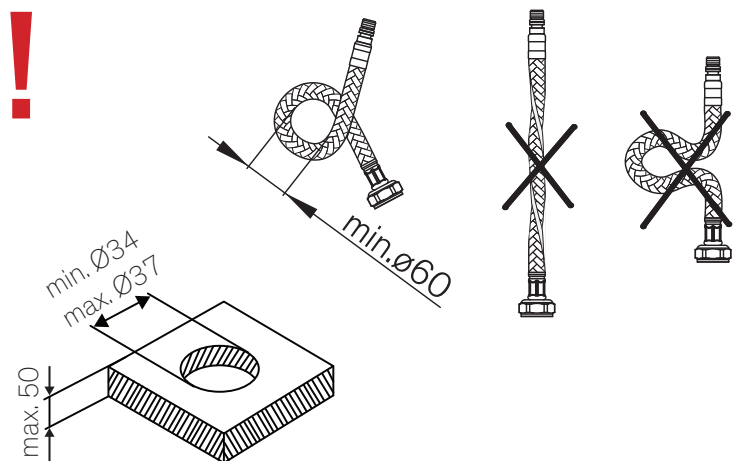
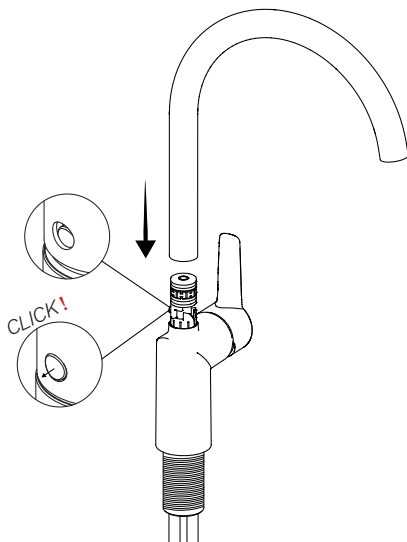


A[1]

A, B: 50 - 1000 kPa (0.5-10 bar)

B[2]

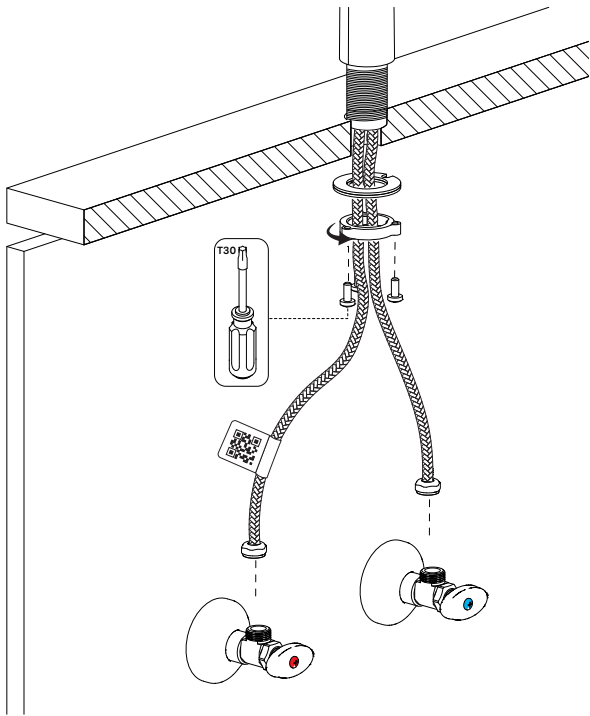
A,B: 50-1000 kPa (0,5-1 bar)



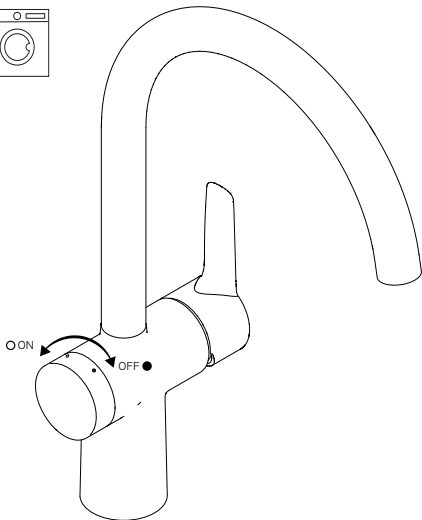
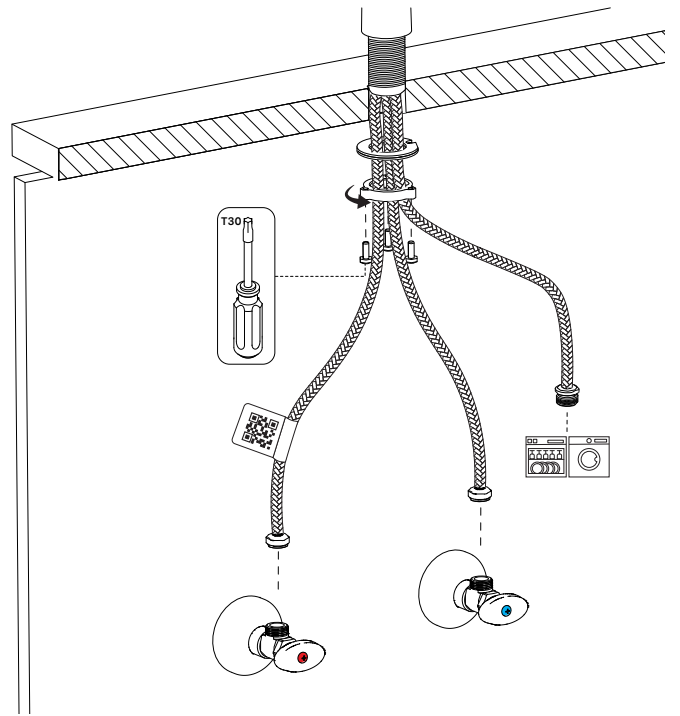
C

[1]: Without dishwasher shut off valve

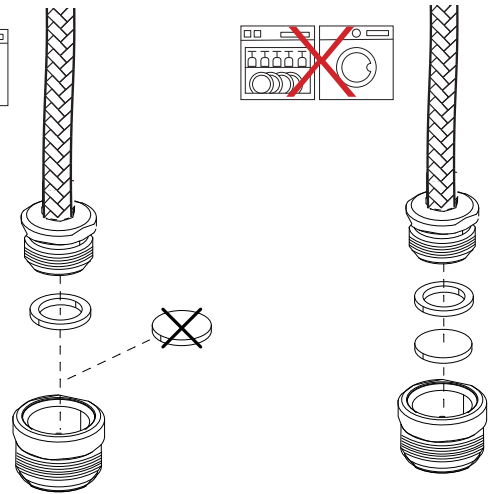
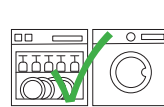
[2]: **With** dishwasher shut off valve



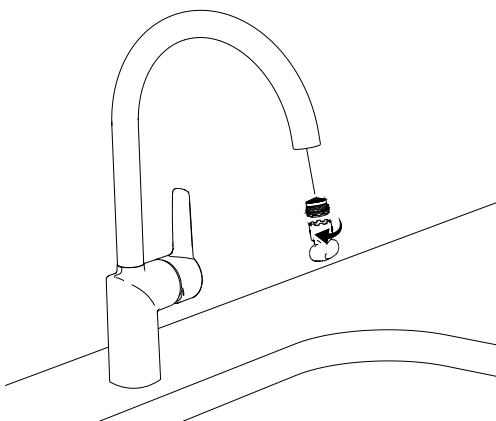
D [1]



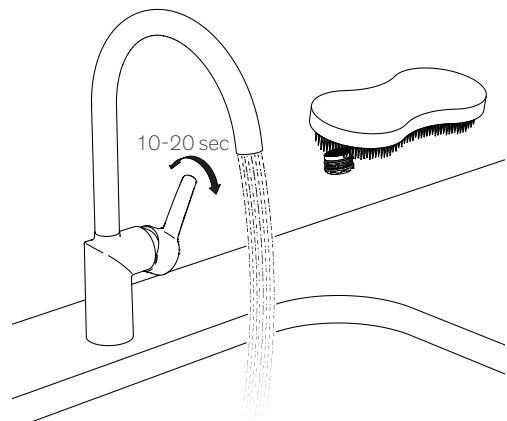
F [2]



E [2]

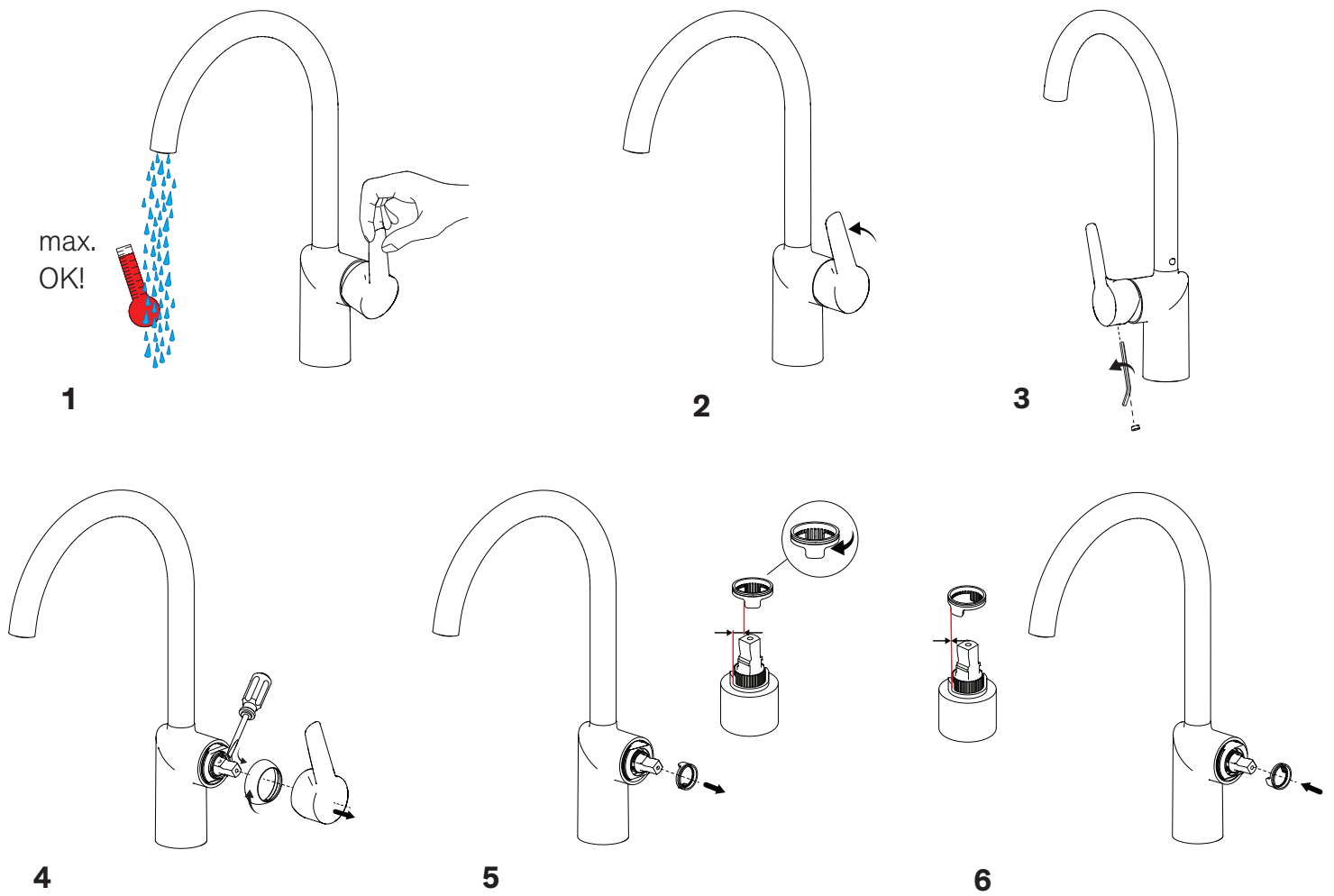


G

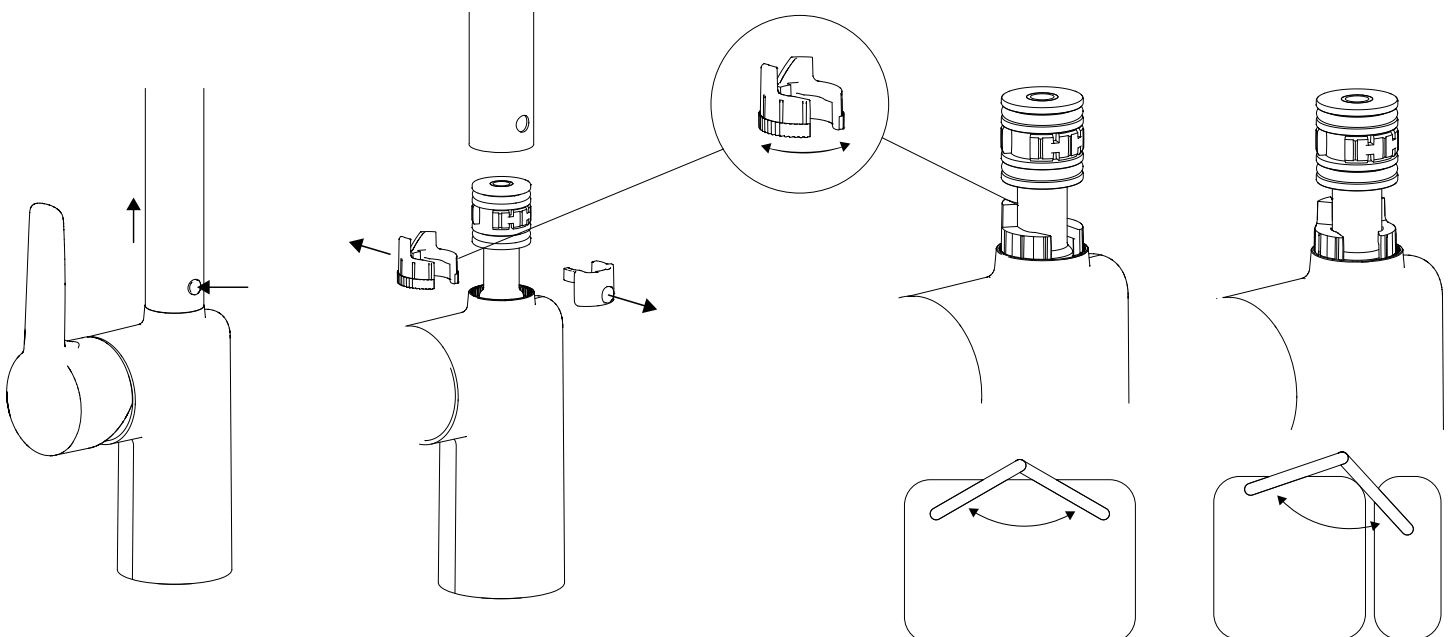


H

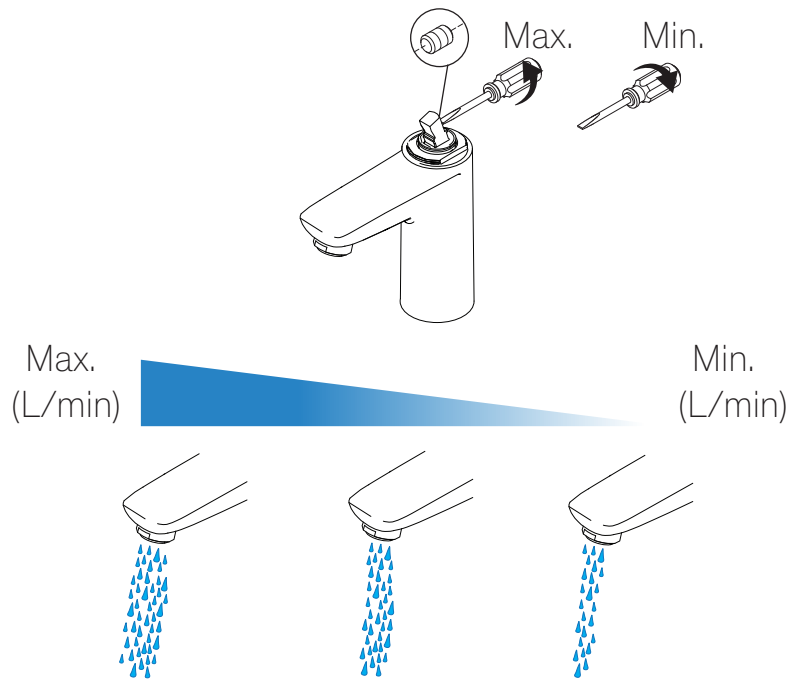
Temperature-limiter | Temperaturbegrænser



110° Swivel spout | 110° Svingbar tud



Flow Limiter | Flowbegrænser



Rup-Clean

